

Model Name	Switch-M16eG	Product Specification	401-28160K-TH-SP02
Model No.	PN28160K-TH		Page 1 of 10

## 1. Summary

Switch-M16eG is an all Giga bit Ethernet Switching Hub with management function having 14 ports of 10/100/1000BASE-T and two pairs of 10/100/1000BASE-T port and SFP extension slot, one of which is selectable.

## 2. Feature

- (1) Has wire-speed Layer 2 switching function.
- (2) Ports 1 to 14 are 10/100/1000BASE-T ports corresponding to auto-negotiation. Also their speed and communication mode can be switched by configuration. Ports 15 and 16 can be used as a 10/100/1000BASE-T port corresponding to auto-negotiation or an SFP extension slot exclusively. Also their speed and communication mode can be switched by configuration.
- (3) All twisted pair ports support straight/cross cable auto sensing function. Simply connect devices with straight cables, whether it is a terminal or a network device. (This function does not work if the port communication configuration is set at Fixed or Link Aggregation. Ports 1 to 14 are set at MDI-X. (default))
- (4) Has a loop detection function, which notifies when a loop occurs with the corresponding port LED and automatically shuts down the looped port.
- (5) Has a loop detection history function, which notifies when a loop occurs with the corresponding LED and enables a network administrator to identify the looped port after the loop is removed.
- (6) Fan less design solves noise problem or fan failure.
- (7) Due to the ECO mode LED function, Port LED lamps (left) can be turned off to reduce power consumption.
- (8) The IEEE802.1p compatible QoS function is supported.
- (9) Has an internet mansion function, which ensures security between each port.
- (10) Due to the loop detection/shutoff function, a port where loop has occurred can be automatically shut off to prevent loop failures. When a port is shut off and recovered automatically, SNMP trap can be sent to notify the incident to the administrator. Moreover, the port with a loop can be identified by loop notification on the LEDs on the main unit and referring the history of loop on the setting screen.
- (11) Has a port grouping function, which groups ports that are allowed to communicate with one another to limit communications between different groups.
- (12) Equipped with energy efficient Ethernet (EEE) conforming to IEEE802.3az (LPI). When there is no data transmission at link up, the energy-saving state automatically starts so that power consumption can be reduced on each port.
- (13) Using Embedded power-saving mode, connection status is automatically detected and power consumption is minimized.
- (14) Supports IEEE802.1Q tagging VLAN. Up to 256 groups of VLAN can be registered.
- (15) Supports IEEE802.1X user authentication function (EAP-MD5/TLS/PEAP).
- (16) Supports ZERQUO assist Plus. Processes from introduction to maintenance can be performed easily.

Date issued	May 26, 2015	Panasonic Life Solutions Networks Co., Ltd.
Date revised	Oct. 1, 2020	

Model Name	Switch-M16eG	Product Specification	401-28160K-TH-SP02
Model No.	PN28160K-TH		Page 2 of 10

### 3. Rated/Environmental Conditions

3-1. Power supply	AC100-240V, 50/60Hz, 0.5A (with a built-in power supply)
3-2. Power consumption	Normally, Max.13.2W, Min.6.4W
3-3. Operating environment	Temperature: 0 - 50°C Humidity: 20 - 80%RH (no condensation)
3-4. Storage environment	Temperature: -20 - 70°C Humidity: 10 - 90%RH (no condensation)
3-5. Immunity	ESD : IEC61000-4-2 (10kV) Radiated : IEC61000-4-3 Level2 EFT/Burst : IEC61000-4-4 Level3 Surge : IEC61000-4-5 Level4 (AC line) Conducted : IEC61000-4-6 Level2 Power frequency magnetic field : IEC61000-4-8 Level4 Voltage dips and interruptions : IEC61000-4-11

### 4. Form

4-1. Form and materials/colors	Dimensions : 44mm (Height) × 330mm (Width) × 230mm (Depth) (Excluding protruding sections) Case material : SECC Color : Main unit: Green 03, Front face: Black 03, Face plate label: Black 04
4-2. Mass (Weight)	2,200g

### 5. Hardware Specifications

5-1. Interface	Twisted pair port 1-16 : RJ45 connector (*1) Transmitting and receiving network system : IEEE802.3 10BASE-T IEEE802.3u 100BASE-TX IEEE802.3ab 1000BASE-T Transmission speed : 10/100Mbps, full/half duplex : 1000Mbps, full duplex Compatible cable : Twisted pair cable (At least equivalent to EIA/TIA568 category 5e) Maximum transmission distance : 100m Auto-Negotiation : Communication speed and full/half duplex are automatically recognized. The setting can be fixed to 10Mbps, 100Mbps, and full duplex or half duplex. *1 Embedded power saving mode detects the connection status automatically and saves power consumption to minimum. SFP extension slot 15,16 SFF-8472 (DMI: Diagnostic Monitoring Interface) *Select either of RJ45 or SFP for use Optional Accessories : 1000BASE-SX SFP Module (PN54021K-TH) 1000BASE-LX SFP Module (PN54023K-TH)
5-2. Switching mode	Switching method : Store and Forward Switching capacity : 32Gbps Packet transfer capability : Non-blocking Max 1,488,000pps/port (1000Mbps) Max 148,800pps/port (100Mbps) Max 14,880pps/port (10Mbps) MAC Address table : Max 8K entry/unit Buffer memory : 512K Byte/unit Flow control : half-duplex Back pressure full-duplex IEEE802.3x Aging timeout : 10 to 1,000,000 sec. (Default: 300 sec.) Jumbo frame supported : 9KB Transmittable frames : EAP, BPDU

Date issued	May 26, 2015	Panasonic Life Solutions Networks Co., Ltd.
Date revised	Oct. 1, 2020	

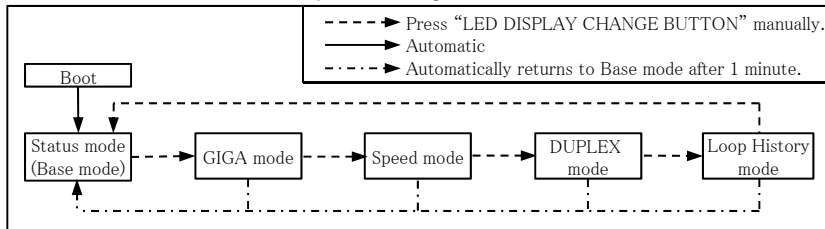


## 5. Hardware Specifications

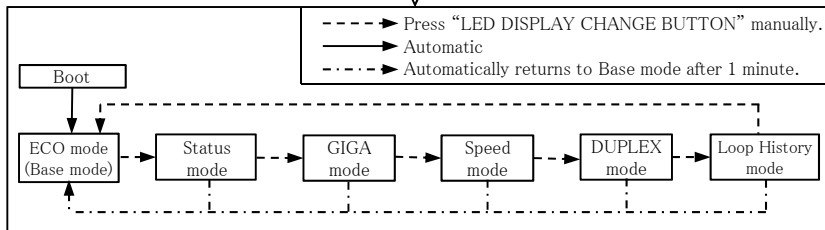
### 5-4. LED display

Switch two types of Base mode s and their LEDs in the following way:

When Base mode is Status mode (factory default setting)



When Base mode is ECO mode

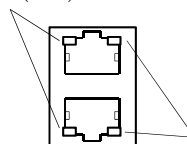


LED lamps for each mode and LED lamps for ports 1 to 16 correspond as the following. (Table 1)

Table 1

Port LED	Display mode	Behavior	Description
Left	STATUS/ECO	Green Light Green Blink Off	Link is established Transmitting and receiving data. No device connected.
	GIGA	Green Light Off	Link is established at 1000Mbps. Link is established at 100Mbps or 10Mbps , or no device is connected.
	100M	Green Light Off	Link is established at 100Mbps. Link is established at 1000Mbps or 10Mbps , or no device is connected.
	Full	Green Light Off	Link is established at full-duplex. Link is established at half-duplex or no device is connected.
	LOOP HISTORY	Green Light Off	Loop has been detected within the last 3 days. No loop detection history.
Right	-	Orange Light Off	Shutting down by loop detection. Not shutting down by loop detection.

Port LED (Left)



Port LED (Right)

Model Name	Switch-M16eG	Product Specification	401-28160K-TH-SP02
Model No.	PN28160K-TH		Page 5 of 10

## 6. Software Specifications

6-1. Configuration	Control parameters can be set by the following procedures: (1) Configuration from an asynchronous terminal connected to the console port. (2) Configuration from a remote terminal connected via TELNET and SSH																												
6-2. Switching Hub Control	Switching Hub can be controlled by the following procedures: (1) Control from an asynchronous terminal connected to the console port. (2) Control from a remote terminal using SSH/TELNET and TCP/IP network connection (3) Control using SNMP Manager The switching Hub operation status can be checked using the following functions. (1) Function to display the CPU usage and memory usage (2) SFP module status checking function (DDM: Digital Diagnostic Monitoring)																												
6-3. Rebooting	The system can be reset from the software in the following three modes: (1) Warm start (2) Reset to factory default (3) Reset items other than the IP address to factory default The reboot timer function can also be used in each mode.																												
6-4. Supported Agent	<table border="0"> <tr> <td>Management protocol</td> <td>:SNMP v1/v2c/v3 (RFC1157,RFC1901, RFC1908)</td> </tr> <tr> <td></td> <td>TELNET (RFC854)</td> </tr> <tr> <td></td> <td>SSH v2 (RFC4251,RFC4252, RFC4253,RFC4254)</td> </tr> <tr> <td></td> <td>SNTP v3 (RFC1769)</td> </tr> <tr> <td>Data transfer protocol</td> <td>:TFTP (RFC783,RFC1350)</td> </tr> </table>	Management protocol	:SNMP v1/v2c/v3 (RFC1157,RFC1901, RFC1908)		TELNET (RFC854)		SSH v2 (RFC4251,RFC4252, RFC4253,RFC4254)		SNTP v3 (RFC1769)	Data transfer protocol	:TFTP (RFC783,RFC1350)																		
Management protocol	:SNMP v1/v2c/v3 (RFC1157,RFC1901, RFC1908)																												
	TELNET (RFC854)																												
	SSH v2 (RFC4251,RFC4252, RFC4253,RFC4254)																												
	SNTP v3 (RFC1769)																												
Data transfer protocol	:TFTP (RFC783,RFC1350)																												
6-5. Supported MIB	<table border="0"> <tr> <td>RFC1213-MIB (MIB II)</td> <td>(RFC 1213) (*1)</td> </tr> <tr> <td>BRIDGE-MIB</td> <td>(RFC 4188) (*2)</td> </tr> <tr> <td>SNMPv2-MIB</td> <td>(RFC 1907)</td> </tr> <tr> <td>RMON-MIB</td> <td>(RFC 2819) Only etherStatsTable</td> </tr> <tr> <td>SNMP-FRAMEWORK-MIB</td> <td>(RFC 2571)</td> </tr> <tr> <td>SNMP-MPD-MIB</td> <td>(RFC 2572)</td> </tr> <tr> <td>SNMP-NOTIFICATION-MIB</td> <td>(RFC 2573N)</td> </tr> <tr> <td>SNMP-TARGET-MIB</td> <td>(RFC 2573T)</td> </tr> <tr> <td>SNMP-USER-BASED-SM-MIB</td> <td>(RFC 2574)</td> </tr> <tr> <td>SNMP-VIEW-BASED-ACM-MIB</td> <td>(RFC 2575)</td> </tr> <tr> <td>SNMP-COMMUNITY-MIB</td> <td>(RFC 2576)</td> </tr> <tr> <td>IP-MIB</td> <td>(RFC 4293) (*3)</td> </tr> <tr> <td>IF-MIB</td> <td>(RFC 2233) Excluding IfMIB</td> </tr> <tr> <td>IEEE8021-PAE-MIB</td> <td>Excluding dot1xPaeSupplciant</td> </tr> </table> <p>*1 Excluding following item At, ipRouteTable, icmp, egp</p> <p>*2 Excluding following item dot1dStp, dot1dSr, dot1dStatic</p> <p>*3 Excluding following item ipDefaultRouterTable, ipv6RouterAdvertTable</p>	RFC1213-MIB (MIB II)	(RFC 1213) (*1)	BRIDGE-MIB	(RFC 4188) (*2)	SNMPv2-MIB	(RFC 1907)	RMON-MIB	(RFC 2819) Only etherStatsTable	SNMP-FRAMEWORK-MIB	(RFC 2571)	SNMP-MPD-MIB	(RFC 2572)	SNMP-NOTIFICATION-MIB	(RFC 2573N)	SNMP-TARGET-MIB	(RFC 2573T)	SNMP-USER-BASED-SM-MIB	(RFC 2574)	SNMP-VIEW-BASED-ACM-MIB	(RFC 2575)	SNMP-COMMUNITY-MIB	(RFC 2576)	IP-MIB	(RFC 4293) (*3)	IF-MIB	(RFC 2233) Excluding IfMIB	IEEE8021-PAE-MIB	Excluding dot1xPaeSupplciant
RFC1213-MIB (MIB II)	(RFC 1213) (*1)																												
BRIDGE-MIB	(RFC 4188) (*2)																												
SNMPv2-MIB	(RFC 1907)																												
RMON-MIB	(RFC 2819) Only etherStatsTable																												
SNMP-FRAMEWORK-MIB	(RFC 2571)																												
SNMP-MPD-MIB	(RFC 2572)																												
SNMP-NOTIFICATION-MIB	(RFC 2573N)																												
SNMP-TARGET-MIB	(RFC 2573T)																												
SNMP-USER-BASED-SM-MIB	(RFC 2574)																												
SNMP-VIEW-BASED-ACM-MIB	(RFC 2575)																												
SNMP-COMMUNITY-MIB	(RFC 2576)																												
IP-MIB	(RFC 4293) (*3)																												
IF-MIB	(RFC 2233) Excluding IfMIB																												
IEEE8021-PAE-MIB	Excluding dot1xPaeSupplciant																												
6-6. System log	Maximum number to be kept: 256 System log transfer (IPv4/IPv6)																												

Date issued	May 26, 2015	Panasonic Life Solutions Networks Co., Ltd.
Date revised	Oct. 1, 2020	

Model Name	Switch-M16eG	Product Specification	401-28160K-TH-SP02
Model No.	PN28160K-TH		Page 6 of 10

## 6. Software Specifications

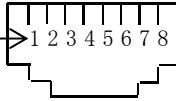
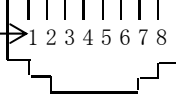
6-7. Loop detection	<p>Turns on the port LED with a orange light when a loop occurs in the corresponding port. At this time, the relevant port automatically shuts down to prevent loop from occurring. SNMP trap can be sent to notify the incident to the administrator. During loop is occurring, or if loop has occurred within the latest 3 days, LOOP HISTORY LED blinks to notify this.</p> <ul style="list-style-type: none"> <li>· Loop detection setting <ul style="list-style-type: none"> <li>Enabled (factory default setting)</li> <li>Enabled/disabled can be switched by configuring a setting using the console, or by pressing "LED DISPLAY CHANGE BUTTON" for 10 seconds or more.</li> <li>The setting is kept even when the power is turned OFF.</li> </ul> </li> <li>· Loop detection port <ul style="list-style-type: none"> <li>Enabled: Ports 1 to 14 (factory default setting)</li> <li>Disabled: Ports 15 and 16 (factory default setting)</li> </ul> </li> <li>· Loop shutoff time <ul style="list-style-type: none"> <li>60 to 86,400 sec. (Factory default setting: 60 sec.)</li> <li>The set time Port LED lights up orange and the port shuts off.</li> </ul> </li> <li>· Loop history retention time <ul style="list-style-type: none"> <li>3 days</li> <li>The LOOP HISTORY LED lamp flashes for three days.</li> <li>The Port LED lamp also remains lit for three days after the loop is eliminated.</li> </ul> </li> </ul>
6-8. Others	<p>ZEQUO assist Plus  Syslog Client (Transfers system logs to the Syslog server.)  TFTP Client (Upgrades the software and saves/loads configuration information.)  Login RADIUS (login authentication function by the RADIUS server)</p>

## 7. Layer 2 Switching Functions

7-1. Port grouping	<p>Members of the port group can communicate only among member ports in the same group.  (Number of group registrations: 256)</p>
7-2. VLAN	<p>IEEE802.1Q Tag VLAN Protocol  Port Base VLAN  Number of VLAN registrations: 256 (including default)  Internet Mansion function</p>
7-3. Trunking	<p>IEEE802.ad Link Aggregation function (STATIC)  Up to 8 groups can be created (up to 8 ports per group).</p>
7-4. Port Monitoring	<p>Traffic of the target port can be copied to the specified port and transmitted.  (Two or more target ports can be specified.)</p>
7-5. QoS	<p>IEEE802.1p 4 levels of Priority Queue supported  (Strict priority queuing )</p>
7-6. Authentication Function	<p>IEEE802.1X Port-based authentication  (EAP-MD5/TLS/PEAP Authentication method)</p>
7-7. Access control	<p>Access control can be controlled by the following parameters:</p> <ol style="list-style-type: none"> <li>(1) IP address (Source or Destination)</li> <li>(2) IPv6 address (Source or Destination)</li> <li>(3) MAC address (Source or Destination)</li> <li>(4) TCP/UDP port number (Source or Destination)</li> <li>(5) VLAN ID</li> <li>(6) IEEE 802.1p Priority</li> <li>(7) DSCP</li> <li>(8) Protocol</li> <li>(9) ICMP type</li> <li>(10) TCP SYN Flag</li> </ol>
7-8. Time configuration	<p>SNTP-based time synchronization function  Manual mode setting</p>

Date issued	May 26, 2015	Panasonic Life Solutions Networks Co., Ltd.
Date revised	Oct. 1, 2020	

## 8. Connector Pin Arrangement

8-1. Port 1 - 16										
Status	Pin No.	1	2	3	6	4	5	7	8	
MDI-X	Signal	BLDB+	BLDB-	BLDA+	BLDA-	BLDD+	BLDD-	BLDC+	BLDC-	
MDI	Signal	BLDA+	BLDA-	BLDB+	BLDB-	BLDC+	BLDC-	BLDD+	BLDD-	
8-2. Console port										
Pin No.	Signal	Pin No.	Signal							
1	NC	5	GND							
2	NC	6	RXD							
3	TXD	7	NC							
4	GND	8	NC							

## 9. Installation Procedures and Accessories

9-1. Installation Procedures	Mounting to rack																
9-2. Accessories	<table style="width:100%; border-collapse: collapse;"> <tr><td>(1) Installation Guide (English)</td><td style="text-align: right;">:1</td></tr> <tr><td>(2) Installation Guide (Thai)</td><td style="text-align: right;">:1</td></tr> <tr><td>(3) CD-ROM(*1)</td><td style="text-align: right;">:1</td></tr> <tr><td>(4) Mounting bracket (for 19-inch rack)</td><td style="text-align: right;">:2</td></tr> <tr><td>(5) Screw (for 19-inch rack)</td><td style="text-align: right;">:4</td></tr> <tr><td>(6) Screw (for fixing the main unit and the 19 inch rack mount bracket)</td><td style="text-align: right;">:8</td></tr> <tr><td>(7) Rubber foot</td><td style="text-align: right;">:4</td></tr> <tr><td>(8) Power cord (TIS 166-2549)(*2)</td><td style="text-align: right;">:1</td></tr> </table> <p style="margin-left: 20px;">*1 We discontinued the CD-ROM from October 2020's production lots. *2 The attached power cord is dedicated for AC 100 - 240 V use.</p>	(1) Installation Guide (English)	:1	(2) Installation Guide (Thai)	:1	(3) CD-ROM(*1)	:1	(4) Mounting bracket (for 19-inch rack)	:2	(5) Screw (for 19-inch rack)	:4	(6) Screw (for fixing the main unit and the 19 inch rack mount bracket)	:8	(7) Rubber foot	:4	(8) Power cord (TIS 166-2549)(*2)	:1
(1) Installation Guide (English)	:1																
(2) Installation Guide (Thai)	:1																
(3) CD-ROM(*1)	:1																
(4) Mounting bracket (for 19-inch rack)	:2																
(5) Screw (for 19-inch rack)	:4																
(6) Screw (for fixing the main unit and the 19 inch rack mount bracket)	:8																
(7) Rubber foot	:4																
(8) Power cord (TIS 166-2549)(*2)	:1																

## 10. Optional Accessories

10-1. 1000BASE-SX SFP Module (Model No. :PN54021K-TH)	<table style="width:100%; border-collapse: collapse;"> <tr><td>Fiber optic port connector type</td><td>:LC connector (Duplex)</td></tr> <tr><td>Standards</td><td>:IEEE802.3z 1000BASE-SX</td></tr> <tr><td>Transmission speed</td><td>:1000Mbps, full duplex</td></tr> <tr><td>Compatible cable</td><td>:Fiber cable 50/125 <math>\mu</math> m Multi Mode Fiber 62.5/125 <math>\mu</math> m Multi Mode Fiber</td></tr> <tr><td>Maximum transmission distance</td><td>:550 m at 50/125 <math>\mu</math> m 220 m at 62.5/125 <math>\mu</math> m</td></tr> </table>	Fiber optic port connector type	:LC connector (Duplex)	Standards	:IEEE802.3z 1000BASE-SX	Transmission speed	:1000Mbps, full duplex	Compatible cable	:Fiber cable 50/125 $\mu$ m Multi Mode Fiber 62.5/125 $\mu$ m Multi Mode Fiber	Maximum transmission distance	:550 m at 50/125 $\mu$ m 220 m at 62.5/125 $\mu$ m
Fiber optic port connector type	:LC connector (Duplex)										
Standards	:IEEE802.3z 1000BASE-SX										
Transmission speed	:1000Mbps, full duplex										
Compatible cable	:Fiber cable 50/125 $\mu$ m Multi Mode Fiber 62.5/125 $\mu$ m Multi Mode Fiber										
Maximum transmission distance	:550 m at 50/125 $\mu$ m 220 m at 62.5/125 $\mu$ m										
10-2. 1000BASE-LX SFP Module (Model No. :PN54023K-TH)	<table style="width:100%; border-collapse: collapse;"> <tr><td>Fiber optic port connector type</td><td>:LC connector (Duplex)</td></tr> <tr><td>Standards</td><td>:IEEE802.3z 1000BASE-LX</td></tr> <tr><td>Transmission speed</td><td>:1000Mbps, full duplex</td></tr> <tr><td>Compatible cable</td><td>:Fiber cable 10/125 <math>\mu</math> m Single Mode Fiber 50/125 <math>\mu</math> m Multi Mode Fiber 62.5/125 <math>\mu</math> m Multi Mode Fiber</td></tr> <tr><td>Maximum transmission distance</td><td>:10 km when Single Mode Fiber is used 550 m when Multi Mode Fiber is used</td></tr> </table>	Fiber optic port connector type	:LC connector (Duplex)	Standards	:IEEE802.3z 1000BASE-LX	Transmission speed	:1000Mbps, full duplex	Compatible cable	:Fiber cable 10/125 $\mu$ m Single Mode Fiber 50/125 $\mu$ m Multi Mode Fiber 62.5/125 $\mu$ m Multi Mode Fiber	Maximum transmission distance	:10 km when Single Mode Fiber is used 550 m when Multi Mode Fiber is used
Fiber optic port connector type	:LC connector (Duplex)										
Standards	:IEEE802.3z 1000BASE-LX										
Transmission speed	:1000Mbps, full duplex										
Compatible cable	:Fiber cable 10/125 $\mu$ m Single Mode Fiber 50/125 $\mu$ m Multi Mode Fiber 62.5/125 $\mu$ m Multi Mode Fiber										
Maximum transmission distance	:10 km when Single Mode Fiber is used 550 m when Multi Mode Fiber is used										

Model Name	Switch-M16eG	Product Specification	401-28160K-TH-SP02
Model No.	PN28160K-TH		Page 8 of 10

## 11. Prohibitions when Using the Product to Guarantee Safety

The manufacturer assumes no responsibility for any problems occurring when the following conditions are not satisfied. Observe the following items when using the product.

- (1) Do not use power supply other than AC 100 – 240 V.  
Deviation could lead to fire, electric shock, and/or equipment failure.
- (2) Do not disassemble and/or modify this Switching Hub.  
Deviation could lead to fire, electric shock, and/or equipment failure.
- (3) Do not put foreign objects (such as metal and combustible) into the opening (such as twisted pair port, console port), and/or do not drop them into the inside of the Switching Hub.  
Deviation could lead to fire, electric shock, and/or equipment failure.
- (4) Do not connect equipments other than 10BASE-T/100BASE-TX/1000BASE-T to twisted pair port.  
Deviation could lead to fire, electric shock, and/or equipment failure.
- (5) Do not place this Switching Hub in harsh environment (such as near water, high humid, and/or high dust).  
Deviation could lead to fire, electric shock, and/or equipment failure.
- (6) Do not place this Switching Hub under direct sunlight and/or high temperature.  
Deviation could lead to high internal temperature and fire.
- (7) Do not handle the power cord with wet hand.  
Deviation could lead to electric shock, and/or equipment failure.
- (8) Do not handle this Switching Hub and connection cables during a thunderstorm.  
Deviation could lead to electric shock.
- (9) Do not damage the power cord. Do not bend too tightly, stretch, twist, bundle with other cord, pinch, put under a heavy object and/or heat it.  
Damaged power cord could lead to fire, short, and/or electric shock.
- (10) Do not install this Switching Hub at the location with continuous vibration or strong shock, or at the unstable location.  
Deviation could lead to injury and/or equipment failure.
- (11) Do not insert any modules other than the optional SFP modules (PN54021K-TH/PN54023K-TH) into the SFP extension slot.  
Deviation could lead to fire, electric shock, and/or equipment failure.  
For the latest information about compatible SFP extension modules, check our website.
- (12) Do not put this Switching Hub into fire.  
Deviation could lead to explosion and/or fire.
- (13) Do not use the supplied power cord for anything other than this product.  
Deviation could lead to fire, electric shock, and/or equipment failure.
- (14) Unplug the power cord in case of equipment failure.  
Deviation, such as keeping connected for a long time, could lead to fire.
- (15) Connect this Switching Hub to ground.  
Deviation could lead to electric shock, malfunction, and/or equipment failure.
- (16) Connect the power cord firmly to the power port.  
Deviation could lead to electric fire, shock, and/or malfunction.
- (17) Unplug the power cord if the STATUS/ECO LED (Status/ECO mode) blinks in orange (system fault).  
Deviation, such as keeping connected for a long time, could lead to fire.

Date issued	May 26, 2015	Panasonic Life Solutions Networks Co., Ltd.
Date revised	Oct. 1, 2020	



Model Name	Switch-M16eG	Product Specification	401-28160K-TH-SP02
Model No.	PN28160K-TH		Page 9 of 10

## 11. Prohibitions when Using the Product to Guarantee Safety

- (18) Handle the Switching Hub carefully so that fingers or hands may not be damaged by twisted pair port, console port, or power cord hook block.

## 12. Basic Instructions for the Use of This Product

- (1) For inspection and/or repair, consult the retailer.
- (2) Use commercial power supply from a wall socket, which is close and easily accessible to this Switching Hub.
- (3) Unplug the power cord when installing or moving this Switching Hub.
- (4) Unplug the power cord when cleaning this Switching Hub.
- (5) Use this Switching Hub within the specifications. Deviation could lead to malfunction.
- (6) Do not touch the metal terminal of the RJ45 connector, the modular plug of connected twisted pair cable. Do not place charged objects in the proximity of them. Static electricity could lead to equipment failure.
- (7) Do not put the modular plug of the connected twisted pair cable on objects that can carry static charge, such as carpet. Do not place it in the proximity. Static electricity could lead to equipment failure.
- (8) Do not put a strong shock, including dropping, to this Switching Hub. Deviation could lead to equipment failure.
- (9) Before connecting a console cable to the console port, discharge static electricity, for example by touching metal appliance (do not discharge by touching this Switching Hub).
- (10) Do not store and/or use this Switching Hub in the environment with the characteristics listed below. (Store and/or use this Switching Hub in the environment in accordance with the specification.)
- High humidity. Possible spilled liquid (water).
  - Dusty. Possible static charge (such as carpet).
  - Under direct sunlight.
  - Possible condensation. High/low temperature exceeding the specifications environment.
  - Strong vibration and/or strong shock.
- (11) Please use this Switching Hub in place where ambient temperature is from 0 to 50°C. Failure to satisfy the conditions above may result in a fire, electric shock, equipment failure, and/or malfunction. Such events are not covered by the warranty. Do not block the ventilator of the Switching Hub. Blocked ventilator induces the heat accumulation inside, causing equipment failure and/or malfunction.
- (12) When using two Switching Hubs, do not stack them. When you place them side by side, allow for a space of 20 mm or more between them. This space is not necessary if you use supplied connection brackets.
- (13) Operation is not guaranteed if a module other than the optional SFP extension modules (PN54021K-TH/PN54023K-TH) is inserted into the SFP extension slot. For the latest information about compatible SFP extension modules, check our website.

Date issued	May 26, 2015	Panasonic Life Solutions Networks Co., Ltd.
Date revised	Oct. 1, 2020	