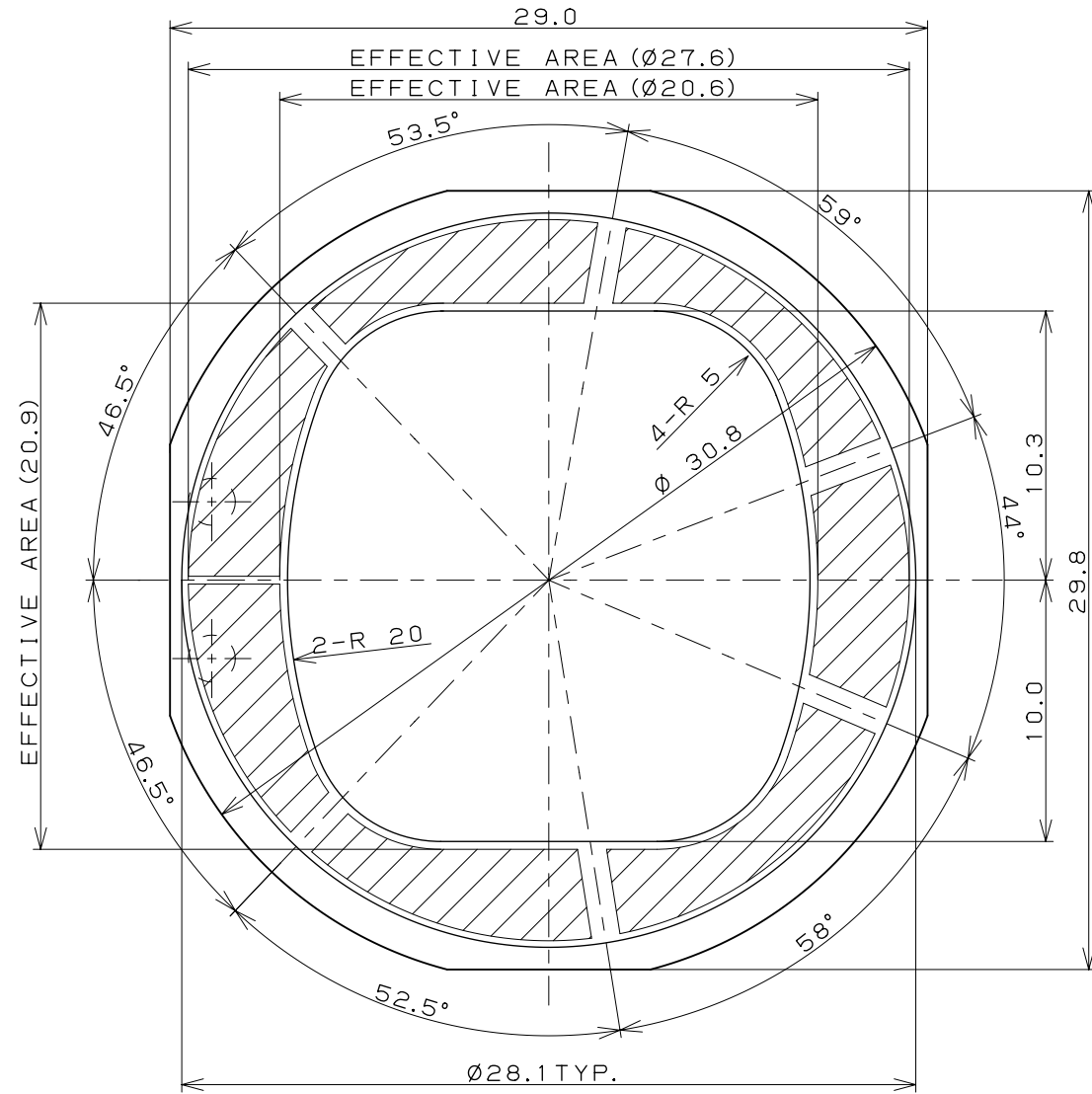
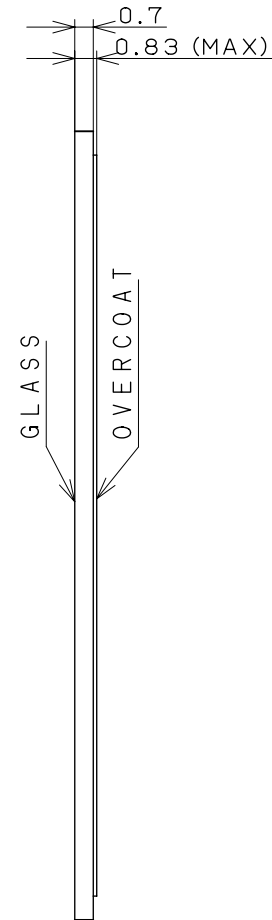


DO NOT SCALE DRAWING

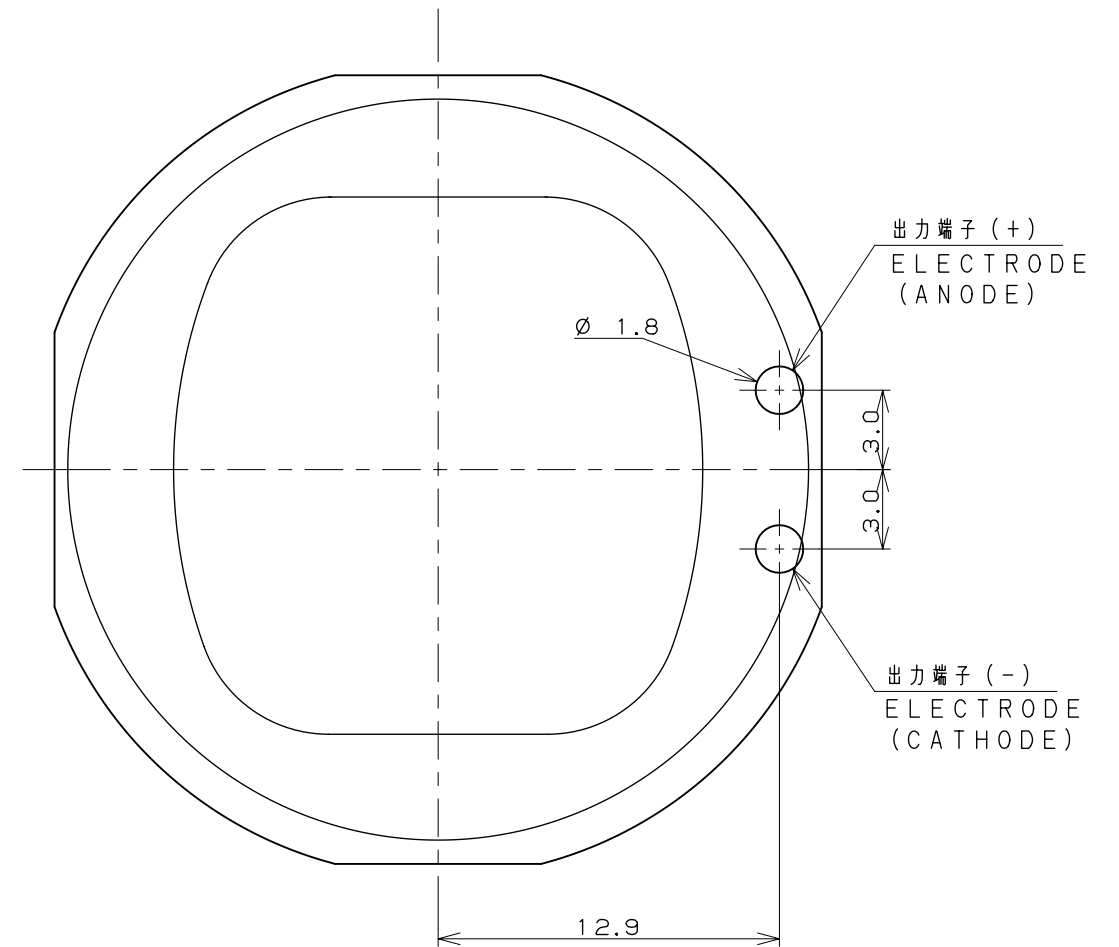
受光面側
LIGHTING SIDE



厚み (端子部除く)
THICKNESS
(EXCEPT ELECTRODE)



裏面側
BACK SIDE



NOTE
GENERAL TOLERANCE : ±0.05

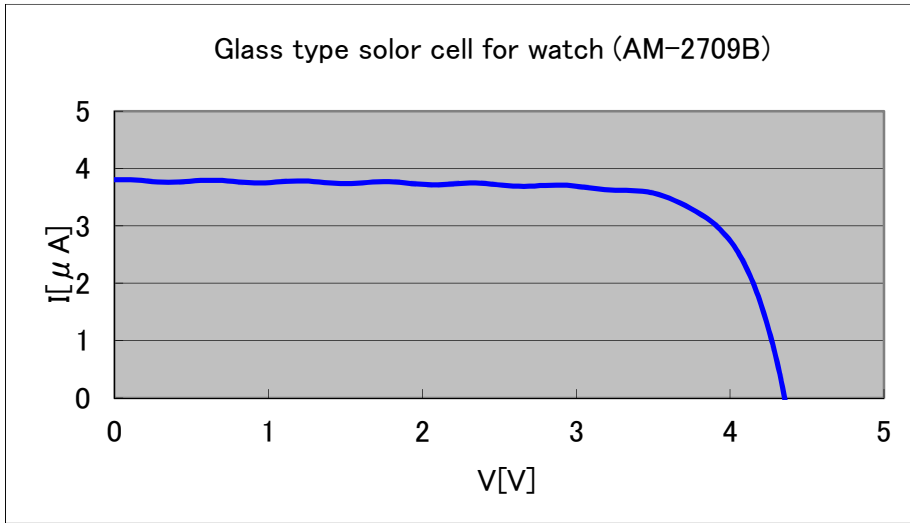
SPECIFICATIONS (at 200Lx, FL, 25°C)

OPEN CIRCUIT VOLTAGE	TYPICAL	4.2 V
SHORT CIRCUIT CURRENT	TYPICAL	4.0 μA
OPERATION	TYPICAL	3.0V - 3.3 μA
	MINIMUM	3.0V - 2.8 μA

DR.		DATE	Jul. 1, 2019	△			
CHK.		ORIGINAL DRAWING		△			
ENG.		TOLERANCE		SYM	DATE	DESCRIPTION	No.
APP.		DECIMALS		REVISIONS			
		FRACTIONS		FINISH	TITLE GLASS SOLAR CELL		
		ANGLES		MATERIAL	MODEL		
		DIMENSION : mm		WEIGHT	AM-2709		
		SCALE 3.5 : 1		NO.	TENTATIVE NO. B278-E		

Current- Voltage Characteristics of a cell for watch

at 200Lx FL 25°C



at 200lux FL^{※1} 25°C

Typical	Voc[V]	Iope(3.0V)[μ A]
	4.2	3.3

※1 fluorescent light

The data are meant to show a sample data only , not intended to guarantee the characteristics