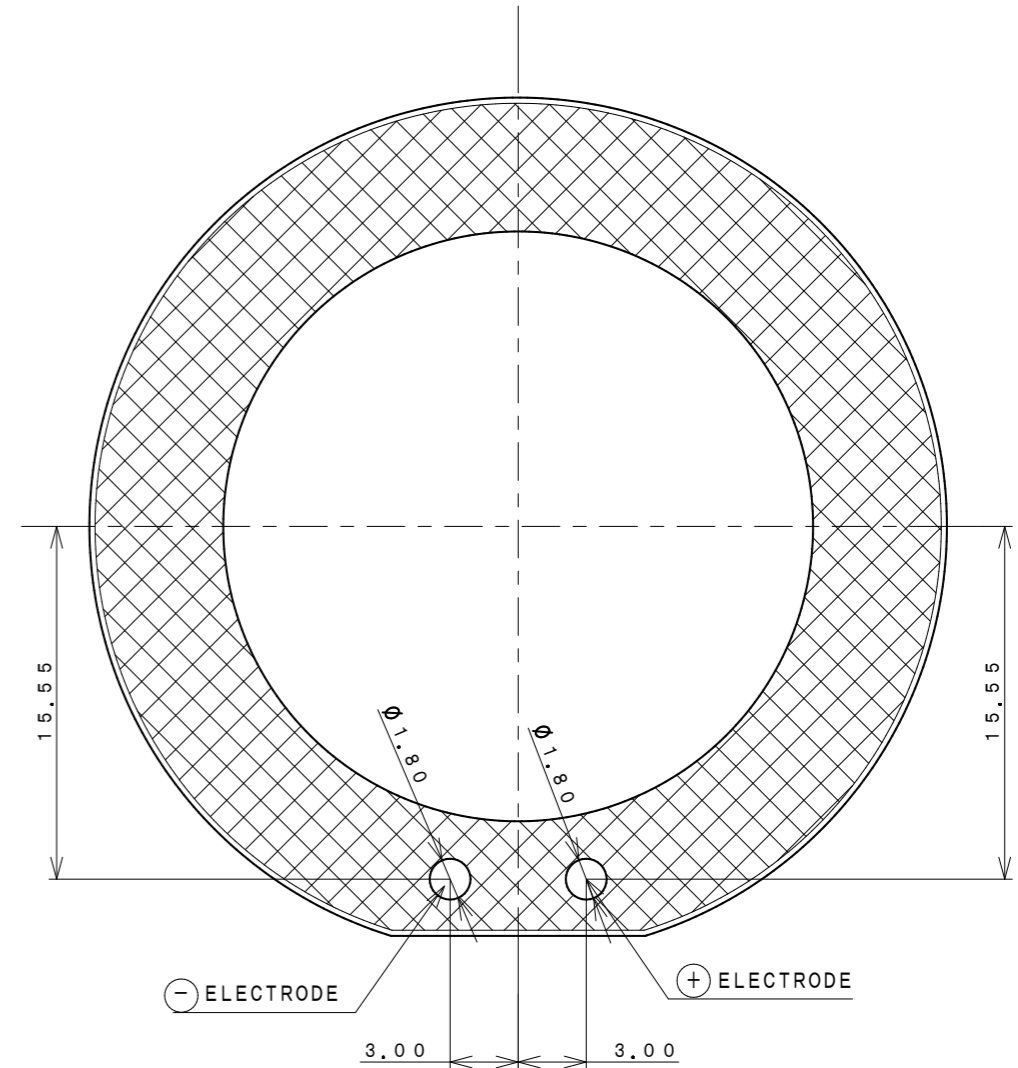
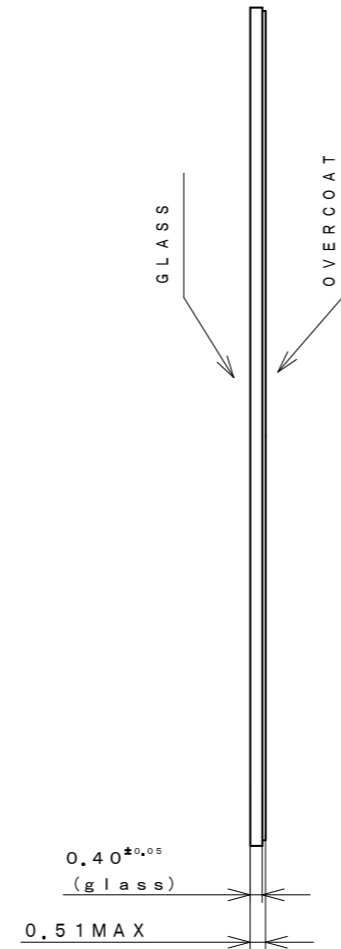
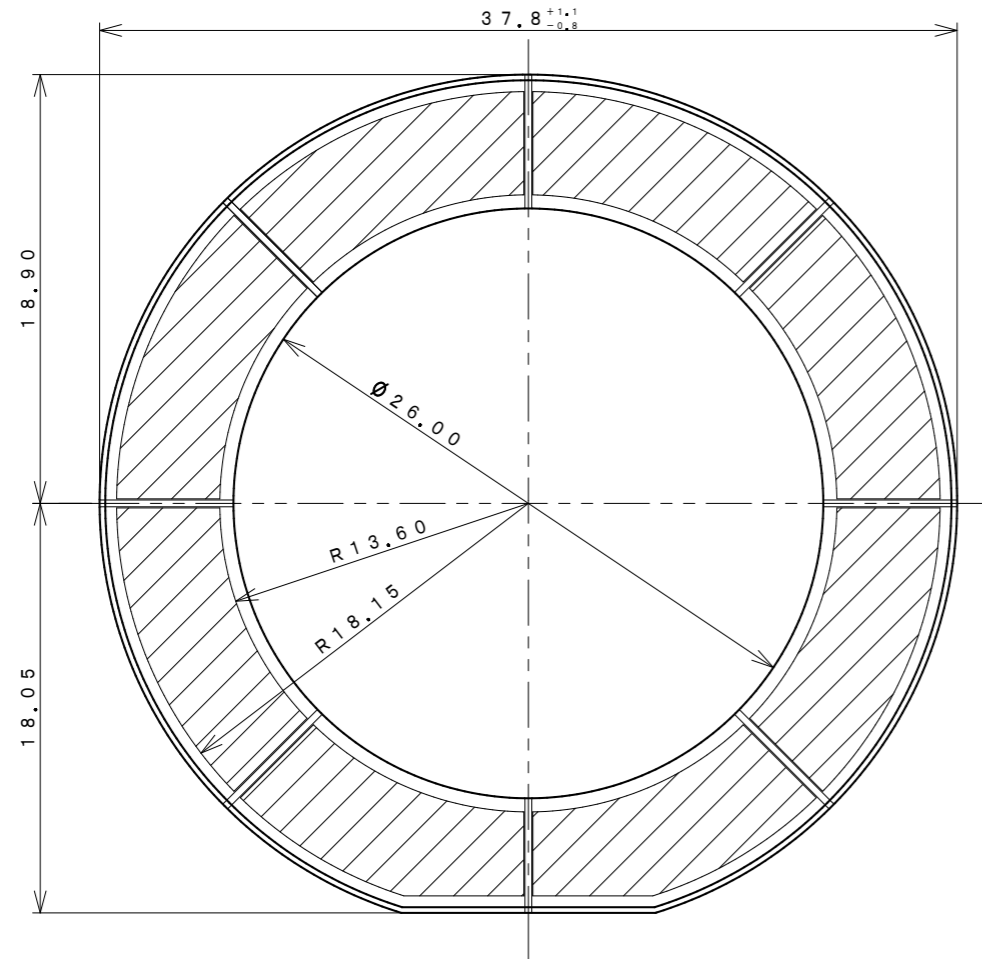


1 2 3 4 5 6

FRONT SIDE

REAR SIDE



: EFFECTIVE AREA

: OVERCOAT PRINTING

DO NOT SCALE DRAWING

1
2
3
4
5
6
7
8
9
10
11
12
13
14
15
16
17
18
19
20
21
22
23
24
25
26
27
28
29
30

SPECIFICATIONS (at 200Lx ※FL 25±2℃)		SPECIFICATIONS (at 50kLx ※SS 25±2℃)		DR.		DATE	Feb. 19, 2024	Δ		
OPEN CIRCUIT VOLTAGE (V)	TYPICAL 5.3V	OPEN CIRCUIT VOLTAGE (V)	TYPICAL 6.9V	CHK.		ORIGINAL DRAWING		Δ		
SHORT CIRCUIT CURRENT (μA)	TYPICAL 8.6 μA	SHORT CIRCUIT CURRENT (mA)	TYPICAL 3.0 mA	ENG.		TOLERANCE ±0.10		SYM	DATE	DESCRIPTION
OPERATION (μA)	TYPICAL 3.5V-8.3 μA	OPERATION (mA)	TYPICAL 4.0V-2.8 mA	APP.		DECIMALS		REVISIONS		
※FL: White Fluorescent Light		※SS: Solar Simulator				FRACTIONS		FINISH	TITLE Solar cell	
						ANGLES ±1°		MATERIAL	MODEL AMH-6801B	
						DIMENSION : mm		WEIGHT		
						SCALE 4/1		NO.	TENTATIVE NO.	

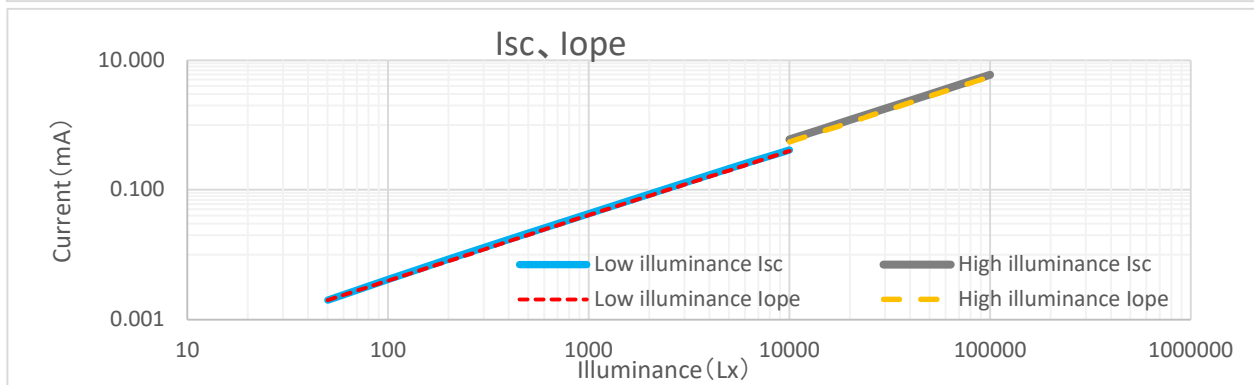
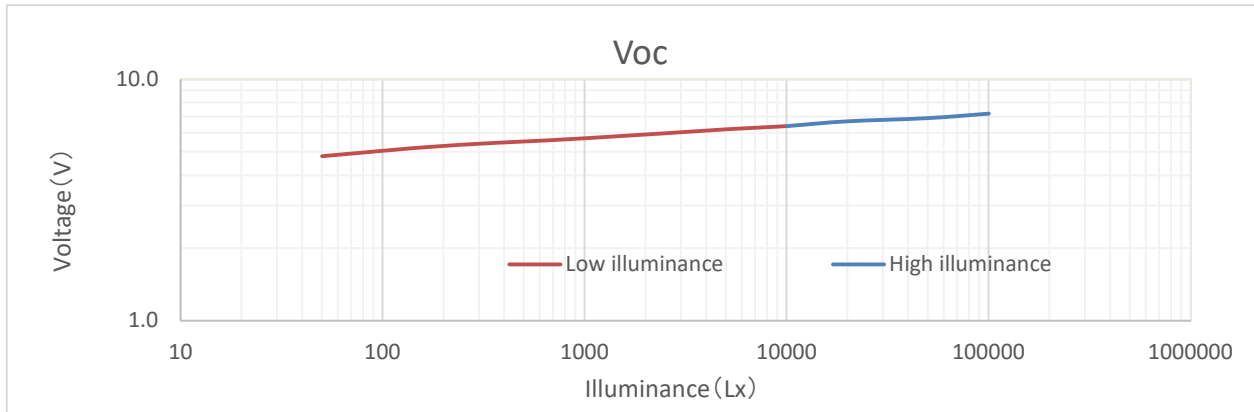
AMH-6801B Output of Illuminance data

REFERENCE

Model: AMH-6801B

Measurement light source: White FL(Low), Solar simulator(High)

Measurement illuminance: 50~10000Lx(Low), 10000~100000Lx(High)



	White FL					Solar Simulator			
	Lx	50	200	1000	5000	10000	20000	50000	100000
Voc(V)		4.8	5.3	5.7	6.2	6.4	6.7	6.9	7.2
Isc(mA)		0.002	0.009	0.04	0.21	0.41	1.2	3.0	6.0
Vope(V)		3.5	3.5	3.5	3.5	3.5	4.0	4.0	4.0
Iope(mA)		0.002	0.008	0.04	0.2	0.4	1.1	2.8	5.6
Pm(mW)		0.01	0.04	0.19	1.02	2.12	5.30	13.50	26.00
Vpm(V)		4.2	4.5	4.8	5.1	5.3	5.3	5.4	5.2
Ipm(mA)		0.002	0.008	0.04	0.2	0.4	1.0	2.5	5.0

※The data is sample data only, not intend guarantee the characteristics.

Panasonic Solar Amorton co.,ltd.