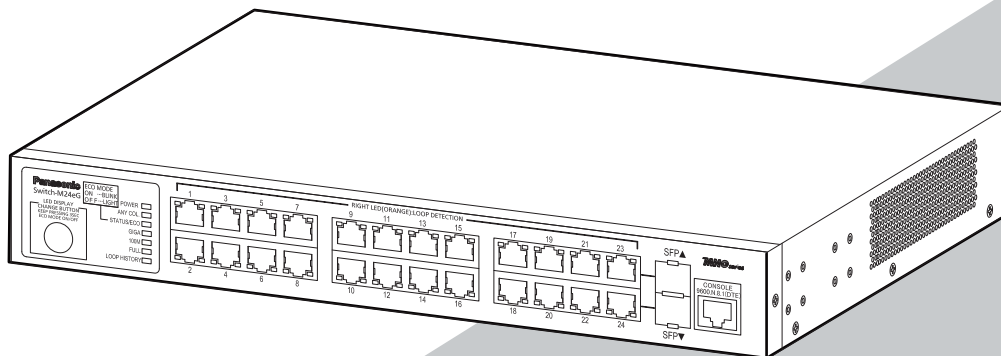


Model No. PN28240K-TH
PN28240K-MY
PN28240K-ID
PN28240K-SG

- Thank you for purchasing our product.
- This manual provides important information about safe and proper operations of this Ethernet Switch.
- Please read the **"Important Safety Instructions"** on pages 3 to 5.
- Any problems or damages resulting from disassembly of this Ethernet Switch by customers are not covered by the warranty.
- The instruction manuals (Menu Version, CLI Version, Web Version), latest firmware and SDN application (ZEQUO assist Plus) can be downloaded from the following URL.



<https://panasonic.co.jp/ew/pewnw/english/datadownload/index.html>



Contents

Important Safety Instructions	3
Basic Instructions for the Use of This Product	6
1. Product Outline	7
1.1 Features	7
1.2 Specifications	8
1.3 Accessories	9
1.4 Basic operation	9
2. Part Names and Functions	10
2.1 LED display change	13
3. Installation and Configuration	15
3.1 Mounting to rack	15
3.2 Configuration of IP address (Basic)	16
Troubleshooting	18

Important Safety Instructions

This chapter contains important safety instructions for preventing bodily injury and/or property damage. Please read carefully, and follow them at all times.

- Severity of bodily injury and/or property damage, which could result from incorrect use of the Ethernet Switch, are explained below.



WARNING

This symbol indicates a potential hazard that could result in serious injury or death.



CAUTION

This symbol indicates safety instructions. Deviation from these instructions could lead to bodily injury and/or property damage.

- The following symbols are used to classify and describe the type of instructions to be observed.



This symbol is used to alert users what they must not do.



This symbol is used to alert users what they must do.



WARNING



- Do not use power supply other than AC 100 - 240 V.
Deviation could lead to fire, electric shock, and/or equipment failure.
- Do not handle the power cord with wet hand.
Deviation could lead to electric shock, and/or equipment failure.
- Do not handle this Ethernet Switch and connection cables during a thunderstorm.
Deviation could lead to electric shock.
- Do not disassemble and/or modify this Ethernet Switch.
Deviation could lead to fire, electric shock, and/or equipment failure.
- Do not damage the power cord. Do not bend too tightly, stretch, twist, bundle with other cord, pinch, put under a heavy object and/or heat it.
Damaged power cord could lead to fire, short, and/or electric shock.
- Do not unplug nor plug in the power plug with wet hands.
Deviation could lead to electrical shock, and/or equipment failure.
- Do not insert or drop any foreign objects such as metal or readily combustible things into Ethernet Switch through the openings.
Deviation could lead to fire, electrical shock, and/or equipment failure.
- Do not store or use the Ethernet Switch in places where it might get splashed with liquids such as water, in places with a lot of humidity, in places with conductive dust, or in places where there are corrosive and combustible gases.
Deviation could lead to fire, electrical shock, and/or equipment failure.
- Do not store or use the Ethernet Switch in places where it will be exposed to direct sunlight or high temperatures.
The temperature inside will rise, which may cause fire.
- Do not store or use the Ethernet Switch in places where there are lots of vibrations and impacts, or in unstable areas.
It might fall, which may cause injuries and/or equipment failure.

WARNING



- **Do not put the Ethernet Switch into fire.**
Deviation could lead to explosion and/or fire.
- **Do not insert nor drop any foreign objects such as metal or readily combustible things into the inside through the openings, twisted pair ports, console ports, or SFP extension slots.**
Deviation could lead to fire, electrical shock, and/or equipment failure.

CAUTION



- **Handle the Ethernet Switch carefully so that fingers or hands may not be damaged by twisted pair port, SFP extension slot, console port, or power cord hook block.**
- **Do not connect any other devices except for 10BASE-T/100BASE-TX/1000BASE-T devices to the twisted pair ports.**
Deviation could lead to equipment failure.
- **Do not insert any other modules except for the our optional SFP module (PN54021K/PN54023K) to the SFP extension slots.**
- **Unplug the power plug when there is a malfunction.**
Deviation could lead to fire if the power is allowed to be supplied for extended periods of time.
- **Be sure to connect the ground cable.**
Otherwise this might cause electrical shocks, misoperations and malfunctions. Connect the Ethernet Switch via the supplied power cord to the outlet which is connected to the ground.
If the outlet is not connected to the ground, connect the ground cable to the ground terminal screw.
- **Use the bundled power cord (AC 100 – 240 V specifications).**
Deviation could lead to electric shock, malfunction, and/or equipment failure.
- **Unplug the power cord in case of equipment failure.**
Deviation, such as keep connecting for a long time, could lead to fire.
- **Connect this Ethernet Switch to ground.**
Deviation could lead to electric shock, fire, and/or malfunction.
- **Connect the power cord firmly to the power port.**
Deviation could lead to electric fire, shock, and/or malfunction.
- **Unplug the power cord if the STATUS LED blinks in orange (system fault).**
Deviation, such as keep connecting for a long time, could lead to fire.

CAUTION



- **This Ethernet Switch is to be periodically serviced in order to maintain its performance.**

Please assign a product administrator, and be sure to implement periodic maintenance. When doing maintenance, check the inspection chart that is posted on our website which has the requisite items listed on it.

- **When using this Ethernet Switch to design systems, use it after applying appropriate measures such as setting up redundant configurations.**

Communication failures might be generated due to causes such as malfunctions or misoperations while the Ethernet Switch is being used.

- **When using this Ethernet Switch for applications which require extremely high reliability, be careful to expend all possible means to ensure safety and reliability.**

This Ethernet Switch is not designed or manufactured with the intention that it be used for applications (in use with railways, aviation, and medical care, etc. where the influence rate due to communication failures is extremely high in regard to systems that directly affect systems and human lives) which require extremely high reliability.

- **It is strongly recommended that a lightning arrester (SPD) be installed on the twisted pair port side and the power supply side of this Ethernet Switch.**

Malfunctions might be caused due to overcurrent and overvoltage due to the effects of lightning strikes.

- **It is recommended that this Ethernet Switch be replaced about five years after it has been installed.**

This may vary depending upon conditions such as utilisation rates and usage environments, but performance might decrease due to the age-related degradation, etc. of components.

- **Be careful in regards to environmental restrictions whereby the Ethernet Switch can be used.**

Please isolate the business power lines and communication lines. Isolate distribution lines and other distribution lines, and low current power lines, optical fiber cables, metallic water conduits, and gas conduits, etc. Noise may be generated in the communication lines which might cause communication glitches.

Basic Instructions for the Use of This Product

- For inspection and/or repair, consult the retailer.
- Use commercial power supply from a wall socket, which is close and easily accessible to this Ethernet Switch.
- Unplug the power cord when installing or moving this Ethernet Switch.
- Unplug the power cord when cleaning this Ethernet Switch.
- Use this Ethernet Switch within the specifications. Deviation could lead to malfunction.
- Do not touch the metal terminal of the RJ45 connector, the modular plug of connected twisted pair cable, or the metal terminal of the SFP extension slot. Do not place charged objects in the proximity of them. Static electricity could lead to equipment failure.
- Do not put the modular plug of the connected twisted pair cable on objects that can carry static charge, such as carpet. Do not place it in the proximity. Static electricity could lead to equipment failure.
- Do not put a strong shock, including dropping, to this Ethernet Switch. Deviation could lead to equipment failure.
- Before connecting a console cable to the console port, discharge static electricity, for example by touching metal appliance (do not discharge by touching this Ethernet Switch).
- Do not store and/or use this Ethernet Switch in the environment with the characteristics listed below.
(Store and/or use this Ethernet Switch in the environment in accordance with the specification.)
 - High humidity. Possible spilled liquid (water).
 - Dusty. Possible static charge (such as carpet).
 - Under direct sunlight.
 - Possible condensation. High/low temperature exceeding the specifications environment.
 - Strong vibration and/or strong shock.
- Please use this Ethernet Switch in place where ambient temperature is from 0 to 50°C. Failure to meet the above conditions may result in fire, electric shock, breakdown, and/or malfunction. Please beware because such cases are out of guarantee. Additionally, do not cover the bent hole of this Ethernet Switch. Deviation could lead to high internal temperature, equipment failure and/or malfunction.
- When stacking Ethernet Switches, leave a minimum of 20 mm space between them.
- If any module other than the optional SFP extension modules(PN54021K/PN54023K) is inserted into the SFP extension slot,operation is not guaranteed.For the latest information about compatible SFP extension modules,check our website.

1. Please note that Panasonic shall not bear any liability whatsoever for any damages (this shall include, but is not limited to, lost earnings, lost opportunities, etc.) which were generated in relation to damages caused by operations and usage, or the inability to use this Ethernet Switch, whereby the customer does not follow this Installation Guide.
2. The contents described in this document may be changed without prior notice.
3. For any question, please contact the retailer where you purchased the product.

1 Product Outline

Switch-M24eG is an all Giga bit Ethernet Switch with management function having 22 ports of 10/100/1000BASE-T and two pairs of 10/100/1000BASE-T port and SFP extension slot, one of which is selectable.

1.1 Features

- Has wire-speed Layer 2 switching function.
- Ports 1 to 22 are 10/100/1000BASE-T ports corresponding to autonegotiation. Also their speed and communication mode can be switched by configuration. Ports 23 and 24 can be used as a 10/100/1000BASE-T port corresponding to autonegotiation or an SFP extension slot exclusively. Also their speed and communication mode can be switched by configuration.
- All twisted pair ports support straight/cross cable auto sensing function. Simply connect devices with straight cables, whether it is a terminal or a network device. (This function does not work if the port communication configuration is set at Fixed or Link Aggregation. Ports 1 to 22 are set at MDI-X. (default))
- Has a loop detection function, which notifies when a loop occurs with the corresponding port LED and automatically shuts down the looped port.
- Has a loop detection history function, which notifies when a loop occurs with the corresponding LED and enables a network administrator to identify the looped port after the loop is removed.
- Fanless design solves noise problem or fan failure.
- Due to the ECO mode LED function, Port LED lamps (left) can be turned off to reduce power consumption.
- The IEEE802.1p compatible QoS function is supported.
- Has an internet mansion function, which ensures security between each port.
- Due to the loop detection/shutoff function, a port where loop has occurred can be automatically shut off to prevent loop failures. When a port is shut off and recovered automatically, SNMP trap can be sent to notify the incident to the administrator. Moreover, the port with a loop can be identified by loop notification on the LEDs on the main unit and referring the history of loop on the setting screen.
- Has a port grouping function, which groups ports that are allowed to communicate with one another to limit communications between different groups.
- Equipped with energy efficient Ethernet (EEE) conforming to IEEE802.3az (LPI). When there is no data transmission at link up, the energy-saving state automatically starts so that power consumption can be reduced on each port.
- Using Embedded power-saving mode, connection status is automatically detected and power consumption is minimized.
- Supports IEEE802.1Q tagging VLAN. Up to 256 groups of VLAN can be registered.
- Supports IEEE802.1X user authentication function (EAP-MD5/TLS/PEAP).
- Supports ZEQUO assist Plus. Processes from introduction to maintenance can be performed easily.

1 Product Outline

1.2 Specifications

Interface	Twisted pair port 1-24:RJ45 connector Transmitting and receiving network system IEEE 802.3 10BASE-T IEEE 802.3u 100BASE-TX IEEE 802.3ab 1000BASE-T Energy Efficient Ethernet function IEEE 802.3az(LPI) SFP extension slot port23,34 Transmitting and receiving network system IEEE 802.3z ※RJ45 or SFP either exclusive use SFF-8472 (DMI:Diagnostic Monitoring Interface) Console port:RJ45 connector RS-232C(ITU-TS V.24)
Switching mode	Store and Forward method: Forwarding rate 10BASE-T: Max. 14,880 pps/port 100BASE-TX: Max. 148,800 pps/port 1000BASE-T/SFP: Max. 1,488,000 pps/port MAC Address table: Max. 8K entry/unit Buffer: 512K byte/unit EAP frame,BPDU frame transmission
Link aggregation	IEEE802.3ad Link aggregation function (STATIC) Configurable up to 8 groups (Max. 8 ports per group)
VLAN	IEEE802.1Q tagging VLAN (256 groups max.) Port based VLAN, Internet mansion function
QoS	IEEE802.1p compatible, Supports 4 priority queues
Port monitoring	1:n
Port grouping	Communication control is available only for ports in the same group. (Up to 256 groups can be registered.)
Management method	SNMP v1/v2c/v3,Telnet,SSH (v2),WEB,Console
Loop detection	Ports 1-22: ON, Ports 23-24: OFF (default setting) Port shut-off time: 60 -86400 sec (default setting is 60 sec) Port history hold time: 3 days
Other	Supports the IEEE802.1X authentication (port-based authentication). Storm control function,multi-cast address group registration function,DDM function,access control function,IPv4/IPv6 supported
Power supply	AC 100-240 V, 50/60 Hz, 0.5 A
Power consumption	Normally, Max. 16.6 W, Min. 7.2 W
Operating environment	Temperature: 0–50°C, Humidity: 20–80% RH (no condensation) (Warning) Failure to satisfy the conditions above may result in a fire,electric shock,equipment failure,and/or malfunction. Such events are not covered by the warranty.
Storage environment	Temperature: -20–70°C, Humidity: 10–90% RH (no condensation)
External dimensions	44 mm (Height) × 330 mm (Width) × 230 mm (Depth) (Excluding protruding sections)
Mass (Weight)	2,300g

*For detailed specifications, refer to the product' s specifications.

1.3 Accessories

Please be sure to confirm the content.

Please contact our distributor if any of the contents are insufficient.

	Quantity
● Installation Guide (this document)	1 (*)
● Mounting bracket (for 19-inch rack)	2
● Screw (for 19-inch rack).....	4
● Screw (for fixing the main unit and the 19 inch rack mount bracket)	8
● Rubber foot	4
● Power cord	1

* Just the PN28240K-TH has 1 Installation Guide in Thai (a total of 2 guides).

[Power Cord]

The following power cords are supplied as per the intended nation of delivery.

Product Number	Locale	Power Cord Rating	FUSE Rated Current	Plug Type
PN28240K-TH	Thailand	250 VAC 6 A	-	TIS166-2549
PN28240K-MY	Malaysia	250 VAC 10 A	13 A	BS1363
PN28240K-ID	Indonesia	250 VAC 10 A	-	CEE7/7
PN28240K-SG	Singapore	250 VAC 5 A	5 A	BS1363

[Optional accessories]

●PN54021K-XX 1000BASE-SX SFP Module

●PN54023K-XX 1000BASE-LX SFP Module

The XXs are identical to the intended nation of delivery codes.

1.4 Basic operation

This Product does not have a power ON/OFF switch. Connect the supplied power cord to this Ethernet Switch and connect the other end into an electric outlet.

This Ethernet Switch operates at AC 100 - 240 V (50/60 Hz).

When power is supplied, all the LEDs are turned ON.

Then, PWR LED (Power) lights in green, STATUS/ECO LED (Status/ECO mode) lights in orange, and self-diagnosis of hardware is executed.

On completion of self-diagnosis, PWR LED (Power) and STATUS/ECO LED (Status/ECO mode) light in green, and the Ethernet Switch starts operation as a Ethernet Switch.

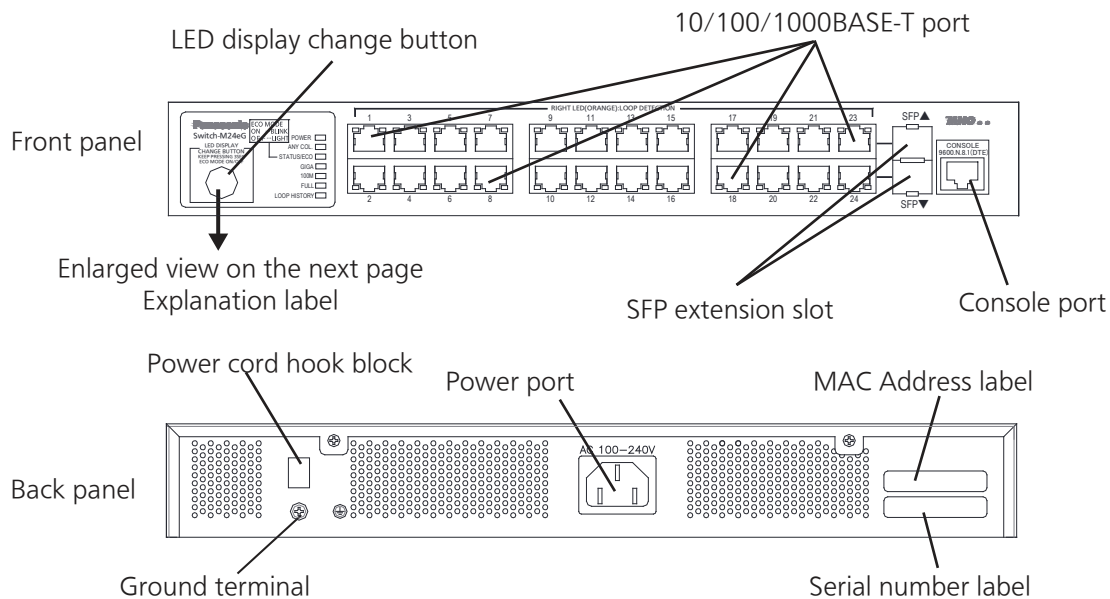
When this Ethernet Switch successfully communicates with a terminal connected to a port, the Port LED lights up.

When the terminal is not operating normally, for example when power is not supplied to the terminal, the Port LED does not light up.

When the Eco mode is set, Port LED lamps do not light up.

*** For the configuration and management methods, please see the PDF version of the Operating Instructions on Panasonic's website.**

2 Part Names and Functions



- **Power port**

Connect the supplied power cord to this port and connect the other end into an electric outlet.

- **Power cord hook block**

If the supplied power cord is hanged to this block, the cord becomes hard to pull out from the power port.

- **Ground terminal**

Only qualified personnel should install minimum 18AWG green-and-yellow stranded copper wire to Ground terminal screw.

- **10/100/1000BASE-T port (ports 1-22)**

Devices such as 10/100/1000BASE-T terminal, hub, repeater, bridge, and Ethernet Switch can be connected to this port. Install the device so that the length of twisted pair cable (CAT5e or above) becomes 100 m or less.

- **10/100/1000BASE-T port + SFP extension slot (ports 23,24)**

Install SFP extension module here. (It becomes exclusive usage with twisted pair port.)

When SFP extension slot is linked, the port is automatically switched to SFP extension mode.

SFP port supports only the full duplex communication.

- **Console port**

Transmission mode : RS-232C

Emulation mode : VT100

Transmission speed : 9,600 bps

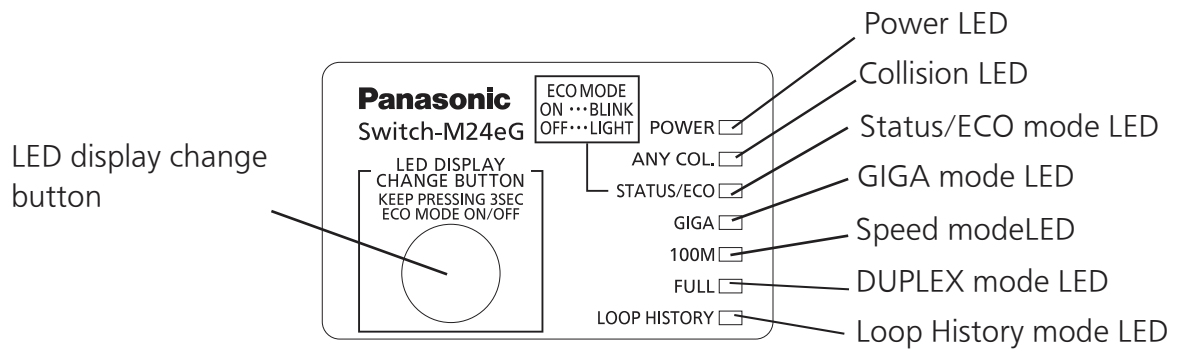
Data length : 8 bits

Stop bit : 1 bit

Parity control : None

Flow control : None

Transmission connector : RJ45



- **POWER (Power) LED**

Green Light : Power is ON.
Off : Power is OFF.

- **ANY/COL. (Collision) LED**

Orange Light : During half-duplex operation, packet collision is occurring in either port.

- **STATUS/ECO (Status/ECO mode) LED**

Green Light : Operating in status mode.
Green Blink : Operating in ECO mode.
All Port LEDs (left) are turned off.
Orange Light : Starting up
Orange Blink : Malfunction (Contact the shop.)
Off : Power is OFF.

- **GIGA (GIGA mode) LED**

Green Light : Operating in GIGA mode.

- **100M (Speed mode) LED**

Green Light : Operating in Speed mode.

- **FULL (DUPLEX mode) LED**

Green Light : Operating in DUPLEX mode.

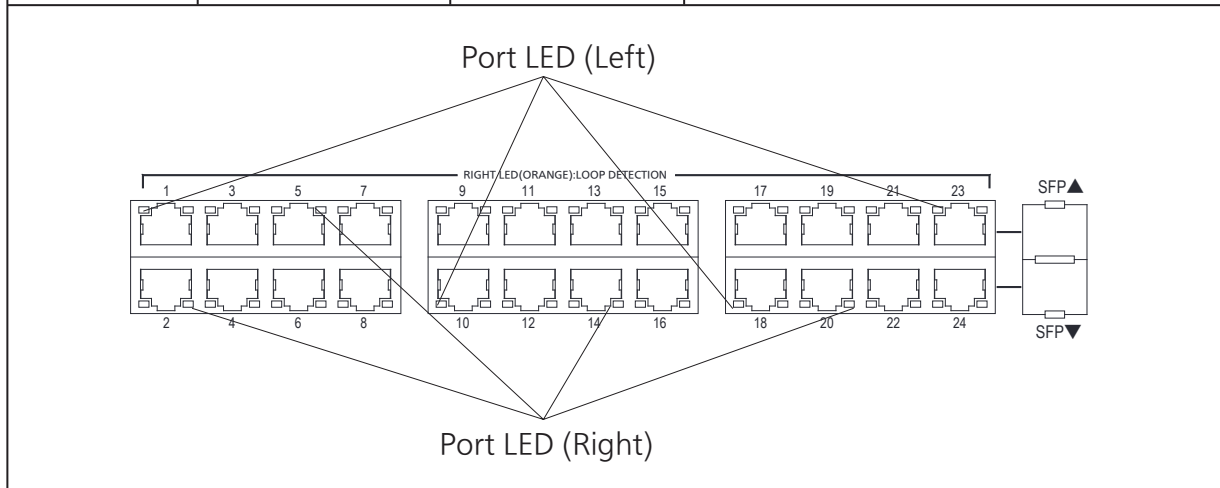
- **LOOP HISTORY (Loop History mode) LED**

Green Light : Operating in Loop History mode.
Green Blink : Loop is occurring, or occurred within the last 3 days.

2 Part Names and Functions

Table1. Ports and Port LED lamps 1 to 24 correspond as shown below.

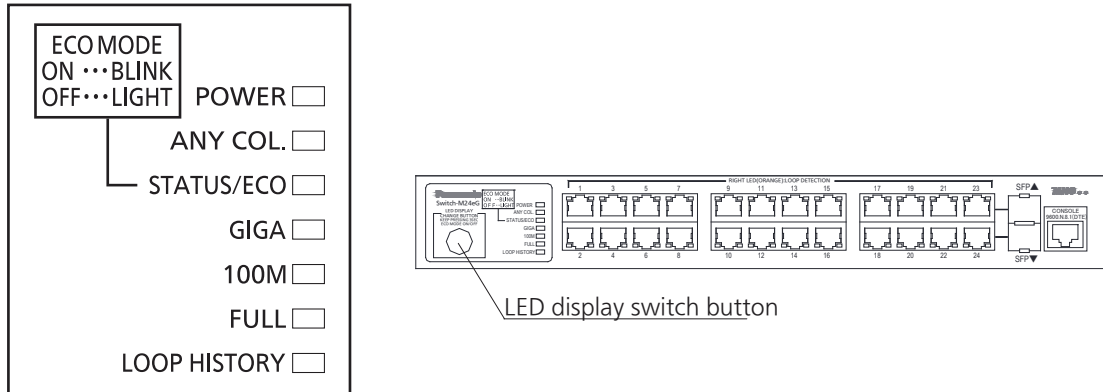
Port LED	Display mode	Behavior	Description
Left	STATUS/ECO	Green Light	Link is established.
		Green Blink	Transmitting and receiving data.
		Off	No device connected.
	GIGA	Green Light	Link is established at 1000 Mbps.
		Off	Link is established at 100 Mbps or 10 Mbps, or no device is connected.
	100M	Green Light	Link is established at 100 Mbps.
		Off	Link is established at 1000 Mbps or 10 Mbps, or no device is connected.
	FULL	Green Light	Link is established at full-duplex.
		Off	Link is established at half-duplex or no device is connected.
	LOOP HISTORY	Green Light	Loop has been detected within the last 3 days.
Off		No loop detection history.	
Right	-	Orange Light	Shutting down by loop detection.
		Off	Not shutting down by loop detection.



2.1 LED display change

●Display style set by the LED display change button

Indication on the front panel and
LED lamps



You can display the following items using the LED display switch button.
Display for the connection with a connected terminal (Status mode), Display for the 1000 Mbps transmission rate (GIGA mode), Display for the 100Mbps or 10 Mbps transmission rate (Speed mode), Display for the full-duplex or half-duplex transmission system (DUPLEX mode), Display for ports with a loop history (Loop history mode), All port LED lamps can be turned OFF (ECO mode).

●Two types of Base modes and each mode

The mode at the start is called "Base mode."

There are two types of Base modes: Status mode (factory default setting) and ECO mode. You can change the Base mode by holding down the LED display switch button (for at least 3 sec).

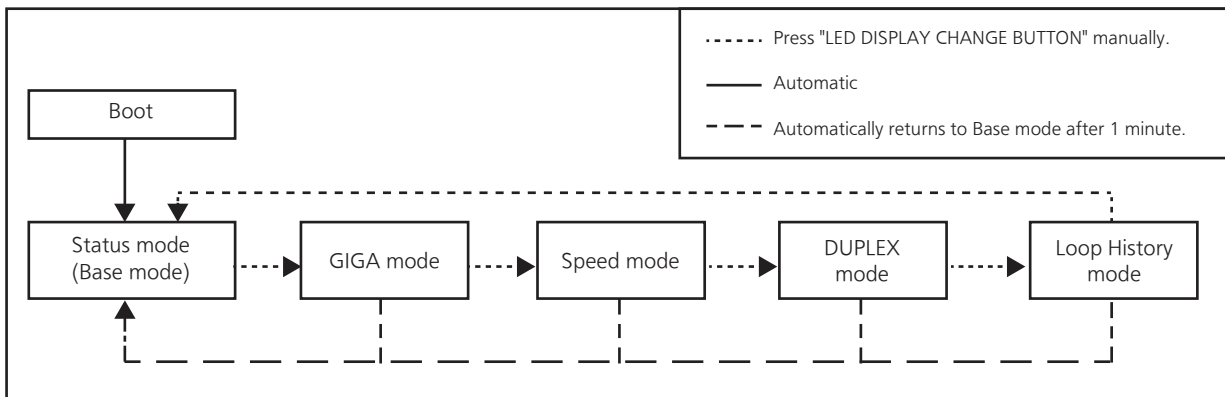
When the Base mode is changed normally, all STATUS/ECO, GIGA, 100M, and FULL LED lamps light up at the same time. When you release the button, the Base mode is changed to the selected mode.

If the mode is changed to the GIGA mode, Speed mode, DUPLEX mode, or loop history mode and the LED display switch button is not used for one minute or longer, the mode automatically returns to a Base mode (Status mode or ECO mode). The Base mode is maintained even after the power is turned OFF.

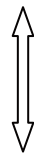
2 Part Names and Functions

Switch two types of Base modes and their LEDs in the following way:

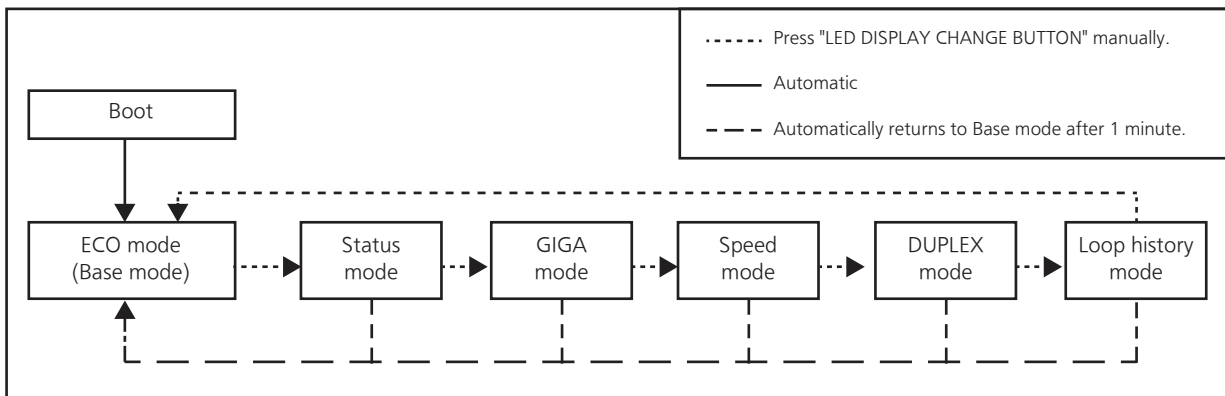
When Base mode is Status mode (factory default setting)



When Base mode is ECO mode



Switch Base mode (keep pressing "LED DISPLAY CHANGE BUTTON" over 3 seconds)



※The Base mode is maintained even after the power is turned OFF.

LED lamps for each mode and LED lamps for ports 1 to 24 correspond as shown in Table 1 (see page 10).

●Loop detection/shutoff function and loop history function

Turns on the port LED with a orange light when a loop occurs in the corresponding port. At this time, the relevant port automatically shuts down (default setting: 60 sec.) to prevent loop from occurring.

If the loop is still not removed, the port will shut down again. Remove the loop while the port is shut down.

During loop is occurring, or if loop has occurred within the latest 3 days, LOOP HISTORY LED blinks to notify this.

It is possible to switch loop detection setting (OFF/ON) by using a console cable (for detail, see the attached CD-ROM) or by pressing "LED DISPLAY CHANGE BUTTON" for 10 seconds or more. (The default setting is ON.) When it is switched successfully, LOOP HISTORY LED lights up and setting is complete.

If you wish to clear loop detection history, turn OFF once the power supply of the Ethernet Switch and turn it ON again.

Then, loop detection history is deleted.

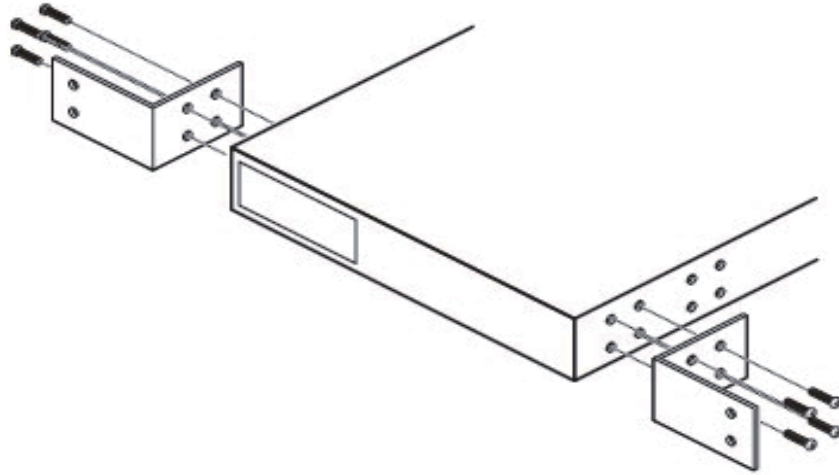
The Ethernet Switch can hold up to 64 loop history logs.

3 Installation and Configuration

3.1 Mounting to rack

Take out the provided mount brackets (2pcs.) and eight screws (for fixing the mount brackets and the Ethernet Switch). Fix the mount brackets to the four holes on each side of the Ethernet Switch using the screws.

Then, securely install the Ethernet Switch on the rack using the four provided screws (for mounting on a 19-inch rack) or screws provided with the rack.



3 Installation and Configuration

3.2 Configuration of IP address (Basic)

- (1) Connect this Ethernet Switch and PC with a RJ45–DSub 9-pin console cable and start up the terminal emulator (ZEUQUO assist Plus, etc.).
- (2) Pressing Enter key 3 times opens Login screen. Enter Login name and Password (the default is "manager" for both). **(Screen 1)**
- (3) Main Menu is displayed. **(Screen 2)**
Press "B" to select [B]asic Switch Configuration. The next hierarchical menu is displayed. **(Screen 3)**
- (4) Press "I" to select System [I]P Configuration. The screen to enter some addresses is displayed. **(Screen 4)**
- (5) Press "I" to set an IP Address, press "M" to set a Subnet Mask, or press "G" to set a Default Gateway. Then enter the specified address. **(Screen 4)**
- (6) After completing the settings, select [Q]uit to previous menu twice to return to Main Menu **(Screen 2)**. Here, select Save Configuration to [F]lash **(Screen 5)** and the command prompt changes to "Save current configuration?(Y/N)." Press "Y" to save the settings.
- (7) From terminals connected to network, confirm that the settings are reflected correctly by executing PING test for entered address.


```

=====
PN28240K Local Management System Version 1.0.0.0
MAC Address: 00:00:00:00:00:00
=====

Login Menu

Login:

```

Screen 1

```

PN28240K Local Management System

Main Menu

[G]eneral Information
[B]asic Switch Configuration...
[A]dvanced Switch Configuration...
[S]tatistics
Switch [T]ools Configuration...
Save Configuration to [F]lash
Run [C]LI
[Q]uit

Command> █
Enter the character in square brackets to select option

```

Screen 2

```

PN28240K Local Management System
Main Menu -> Basic Switch Configuration Menu

System [A]dministration Configuration
System [I]P Configuration
SNDMP Configuration
[P]ort Configuration Basic
Port Configuration [E]xtend
Port Configuration [P]ower Saving
[S]ystem Security Configuration
[F]orwarding Database
[T]ime Configuration
ARP Table
NDMP Table
[Q]uit to previous menu

Command> █
Enter the character in square brackets to select option

```

Screen 3

```

PN28240K Local Management System
Basic Switch Configuration -> System IP Configuration Menu

MAC Address: 00:00:00:00:00:00
IP Address: 192.168.0.1
Subnet Mask: 255.255.255.0
Default Gateway: 192.168.0.254

----- <COMMAND> -----
Set [I]P Address
Set Subnet [M]ask
Set Default [G]ateway
Set IP P[ar]ameter
Set [I]Pv6 Address
[Q]uit to previous menu

Command> █
Enter the character in square brackets to select option

```

Screen 4

```

PN28240K Local Management System
Main Menu -> Save Configuration to Flash

Save current configuration? (Y/N)> █
Y for Yes; N for No

```

Screen 5

*** For detailed configuration and management methods, and the settings from the ZEQUO assist Plus and the Web screens, please see the PDF version of the Operating Instructions on Panasonic's website.**

Troubleshooting

If you find any problem, please take the following steps to check.

◆ LED

The POWER LED (Power) is not lit.

- Check if the power cord is disconnected. Please confirm that the power cord is securely connected to the power port.

The Port LED is not lit in Status mode.

- Is the cable correctly connected to the target port?
- Is the cable appropriate to use?
- Is the terminal connected to the relevant port conforming with 10BASE-T, 100BASE-TX, or 1000BASE-T standard?
- Auto-negotiation may have failed.
- Is the correct Port LED display mode selected using the LED display switch button?

The Port LED (Right) lights in orange.

- Loop is occurring. By removing the loop, orange LED will be turned off.

LOOP HISTORY LED Blinks in orange.

- This is to notify that there is a port in which a loop is occurring, or has been removed within 3 days.

◆ Communications are slow.

- Are the communication speed and mode settings correct?
If the proper communication mode signal cannot be obtained, apply half-duplex mode.
Please reconfirm autonegotiation setting.
- Do not set forced full-duplex for the equipment that the Ethernet Switch is connected to.
- Is not the utilization ratio of the network to which this Ethernet Switch is connected too high?
Please try to separate the equipment from the network.

◆ If communication is disabled

- Are the equipment linked up?
If Embedded power-saving mode is set to "Full" ,change it to "Half" or "Disabled" .
- Is any Port LED lamp (right) lit in orange?
If a Port LED lamp (right) is lit in orange,the respective port is shut off by the loop detection/shutoff function. Cancel loop connection under the port and then wait for the period set for the recovery time for automatic recovery for loop detection/shutoff or cancel port shutoff from the setting screen.