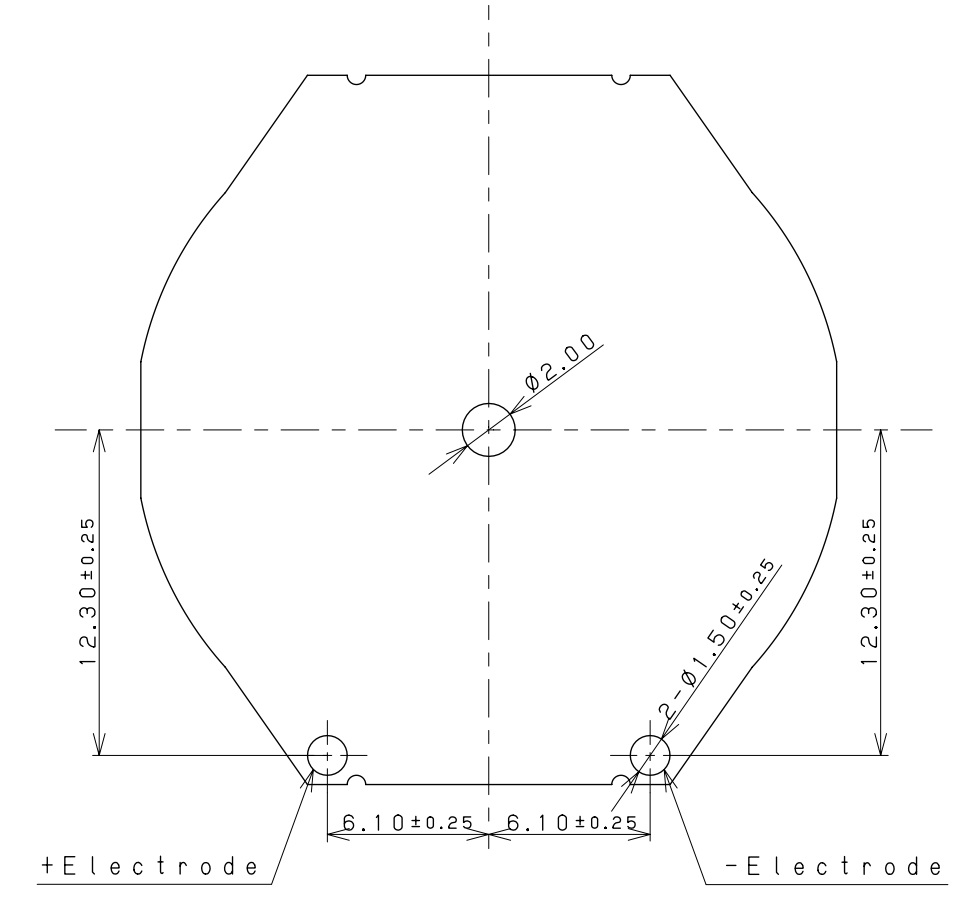
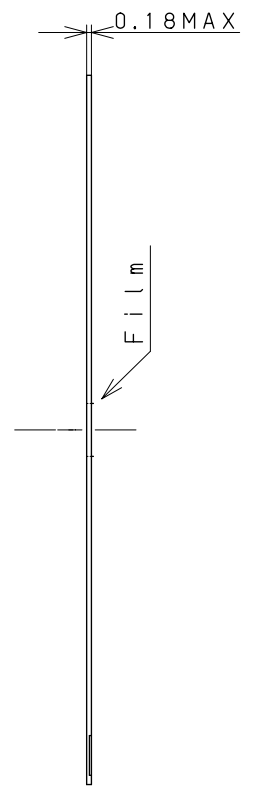
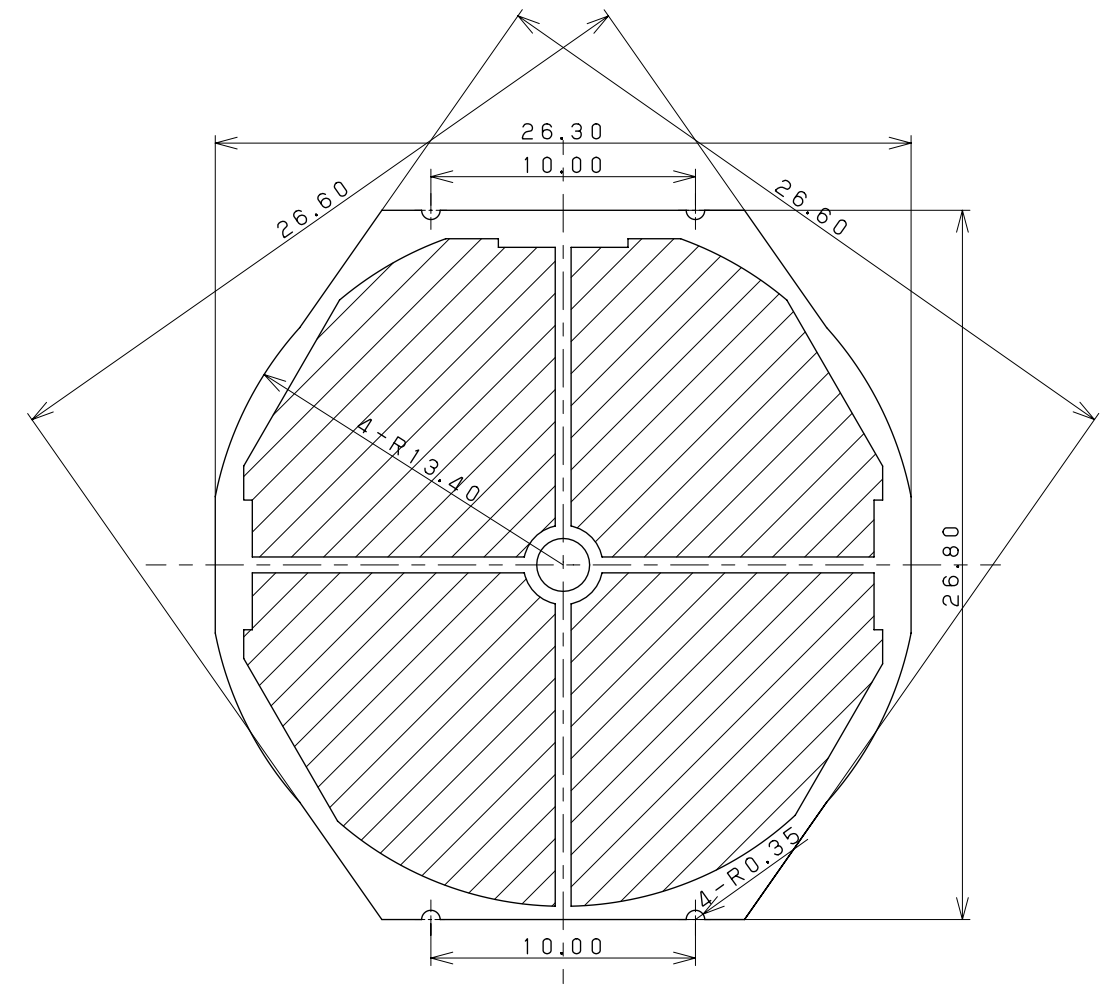


1 2 3 4 5 6

Light Receiving Side

Back Side



Effective Area

Except bump and part of the electrode.

GENERAL TOLERANCE : ±0.1
WARP : 2.0 MAX

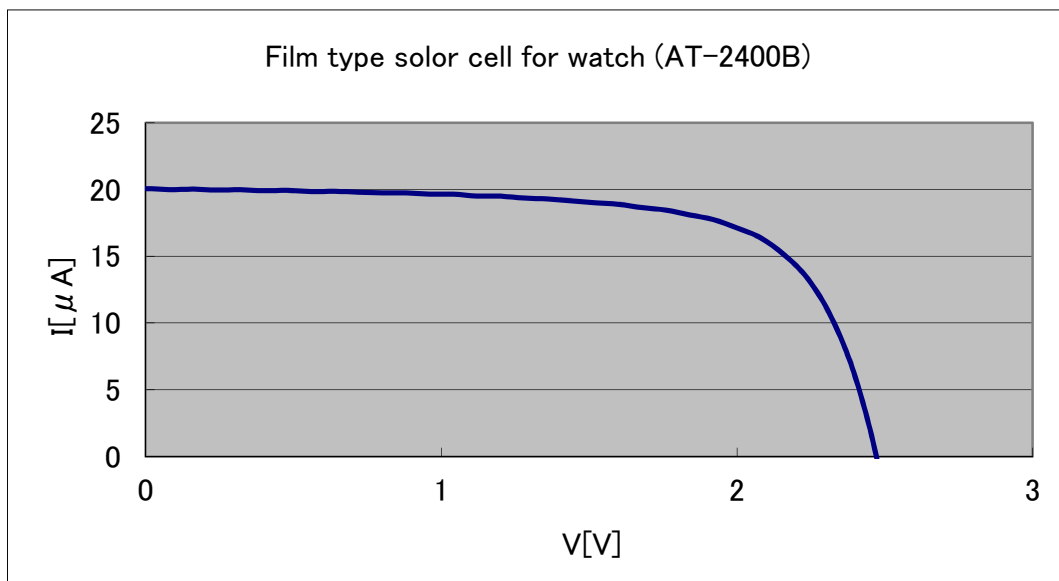
DO NOT SCALE DRAWING

1
2
3
4
5
6
7
8
9
10
11
12
13
14
15
16
17
18
19
20
21
22
23
24
25
26
27
28
29
30

SPECIFICATIONS (at 200Lx, FL, 25°C)		
	TYPICAL	MINIMUM
OPEN CIRCUIT VOLTAGE	2.4 V	1.8 V
SHORT CIRCUIT CURRENT	19.0 μA	
OPERATION	1.5V-18.5 μA	1.5V-15.5 μA

DR.		DATE May.10.2017			
CHK.		ORIGINAL DRAWING			
ENG.		TOLERANCE DECIMALS FRACTIONS ANGLES	SYM	DATE	DESCRIPTION No.
APP.		DIMENSION : mm SCALE 3.5:1	REVISIONS		
			FINISH	TITLE FILM SOLAR CELL	
			MATERIAL FILM	MODEL	
			WEIGHT	AT-2400B	
			NO.	TENTATIVE NO.	

Current- Voltage Characteristics of a cell for watch



at 200lux FL^{※1} 25°C

Typical	Voc[V]	Iope(1.5V)[μ A]
	2.4	18.5

※1 fluorescent light

※The data are meant to show a sample data only , not intended to guarantee the characteristics