

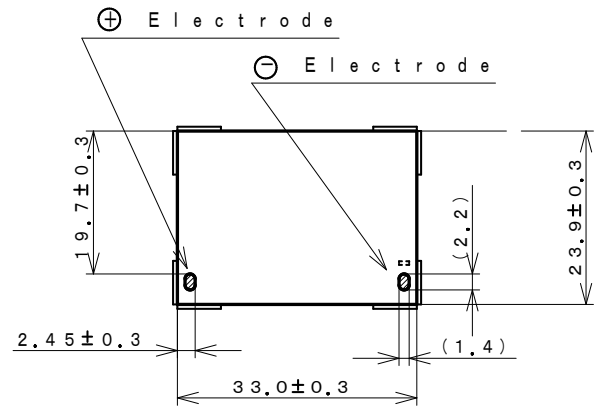
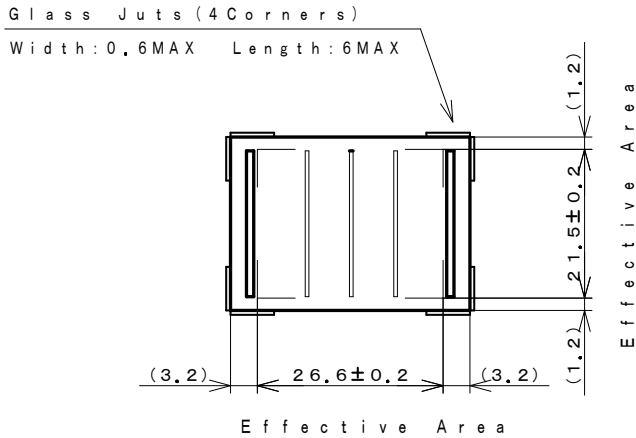
アモルファスシリコン太陽電池 仕様

Model : AM-5413C-T

1. Outside dimensions 外形寸法

Light Receiving Side (受光面)

Overcoat Side (オーバーコート面)



(dimension : mm)

Note

Glass Substrate Thickness (ガラス基板厚) : 1.6mm ± 0.2
Module Thickness (モジュール厚) : 2.0mm MAX
Accepts normal soldering for bending
(一般の半田を使用してリード線付けが可能です。)

2. Rated Specifications (at 25℃)

Item	Specifications (Initial)		
2.1 Open circuit voltage : Voc 開放電圧	Typical	3.4 V	at 50kLx SS
2.2 Short circuit Current : Isc 短絡電流	Typical	8.1 mA	at 50kLx SS
2.3 Operating Voltage & Operating Current : Vope - Iope 動作特性	Minimum	2.0 V - 5.7 mA	at 50kLx SS
	Typical	2.2 V - 7.5 mA	at 50kLx SS
	Typical	2.2 V - 16.7 mA	at AM-1.5 100mW/cm ²
2.4 Maximum output : Pmax & optimum operating Volt : Vop optimum operating Current : Iop 最大出力	(reference)	18 mW	Vop = 2.6 V Iop = 7.1 mA at 50kLx SS
	(reference)	39 mW	Vop = 2.6 V Iop = 15.0 mA at AM-1.5 100mW/cm ²
2.5 Working temperature range : Topr 動作温度範囲		-10 to 60℃	
2.6 Storage temperature range : Tstg 保存温度範囲		-20 to 70℃	

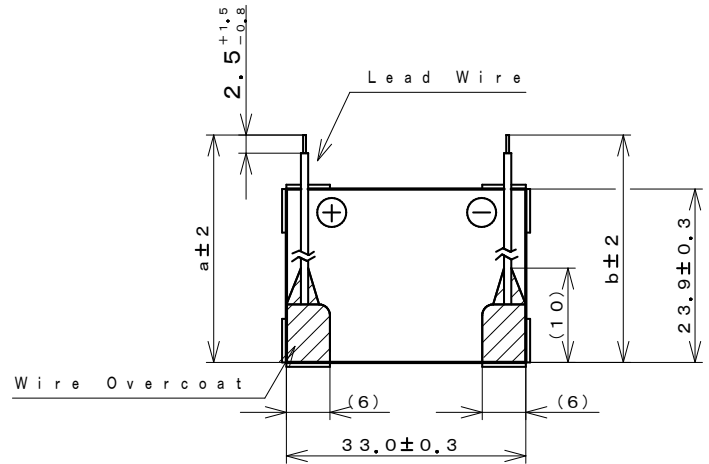
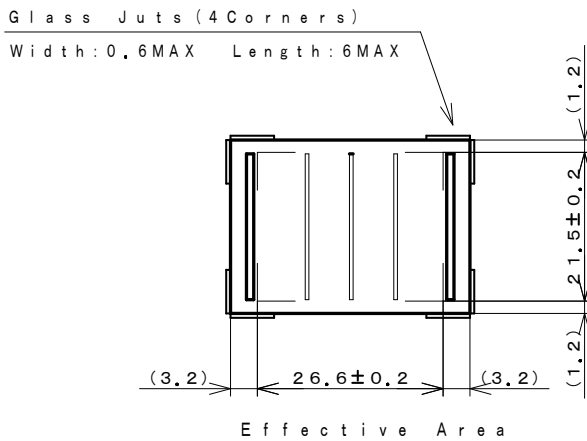
アモルファスシリコン太陽電池 仕様

Model : AM-5413CAR-T

1. Outside dimensions 外形寸法

Light Receiving Side (受光面)

Overcoat Side (オーバーコート面)



(dimension : mm)

Lead Wires : AWG30	
a : 51	b : 51

Note
Glass Substrate Thicknee (ガラス基板厚) : 1.6mm ± 0.2
Module Thickness (モジュール厚) : 2.0mm MAX
Wire-Overcoat thickness : 3.1mm MAX (including Module)
(リード線補正コート厚)

2. Rated Specifications (at 25℃)

Item	Specifications (Initial)		
2.1 Open circuit voltage : Voc 開放電圧	Typical	3.4 V	at 50kLx SS
2.2 Short circuit Current : Isc 短絡電流	Typical	8.1 mA	at 50kLx SS
2.3 Operating Voltage & Operating Current : Vope - Iope 動作特性	Minimum	2.0 V - 5.7 mA	at 50kLx SS
	Typical	2.2 V - 7.5 mA	at 50kLx SS
	Typical	2.2 V - 16.7 mA	at AM-1.5 100mW/cm ²
2.4 Maximum output : Pmax & optimum operating Volt : Vop optimum operating Current : Iop 最大出力	(reference)	18 mW	Vop = 2.6 V Iop = 7.1 mA at 50kLx SS
	(reference)	39 mW	Vop = 2.6 V Iop = 15.0 mA at AM-1.5 100mW/cm ²
2.5 Working temperature range : Topr 動作温度範囲	-10 to 60℃		
2.6 Storage temperature range : Tstg 保存温度範囲	-20 to 70℃		

SS : Solar Simulator

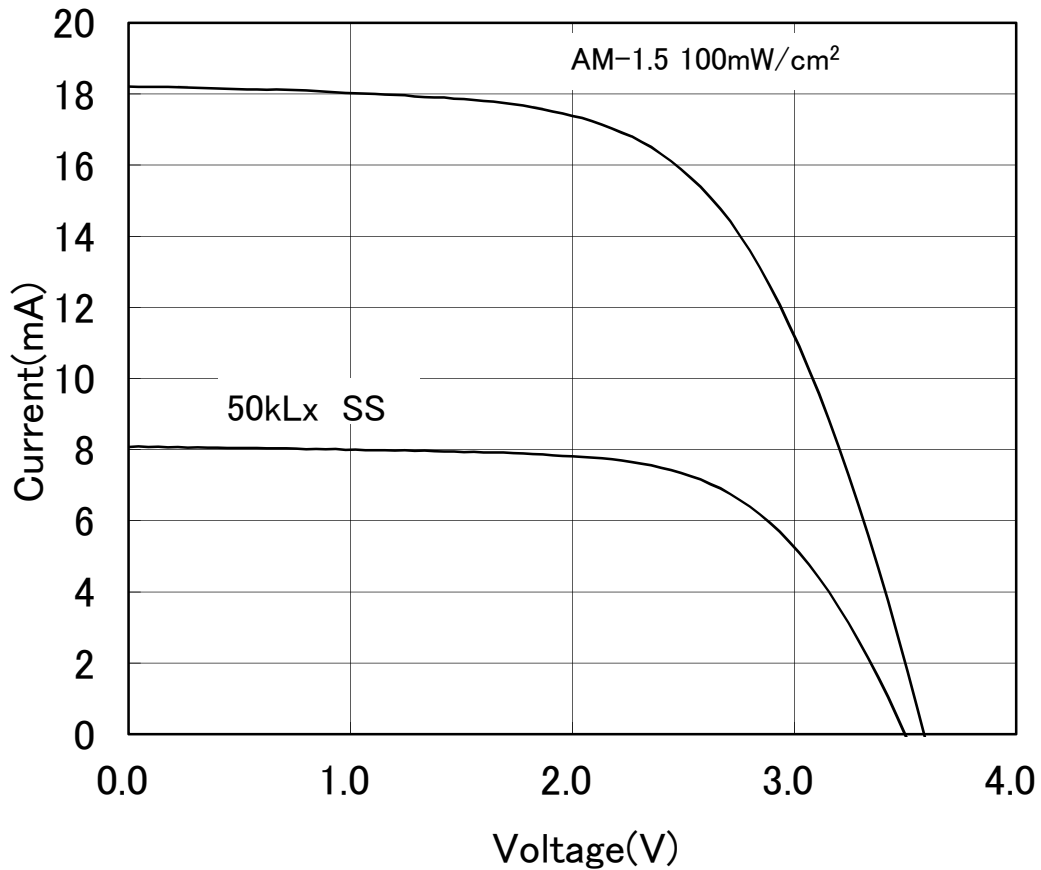
I - V Characteristics

REFERENCE

1.Model : AM-5413

2.Outside Dimension : 33.0mm × 23.9mm

SS:Solar Simulator



*このデータは標準的な出力特性を示すものであり、特性を保証するものではありません。

*The data are meant to show standard electric characteristics only , not intended to guarantee the characteristics.

Panasonic Solar Amorton Co.,Ltd.

2019/5/23

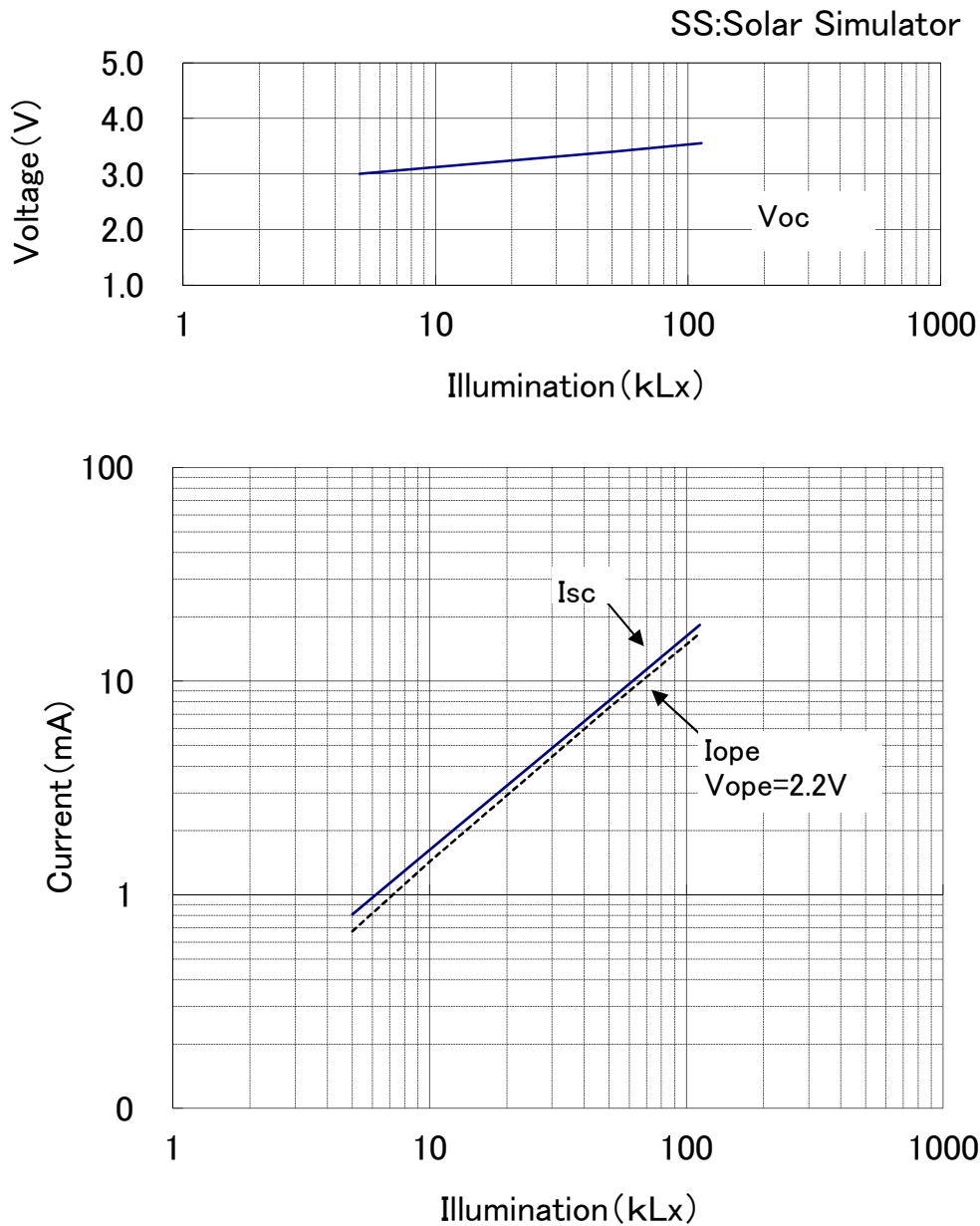
出力の照度依存特性

REFERENCE

Dependence of Output on Illumination

1.Model : AM-5413

2.Outside Dimension : 33.0mm × 23.9mm



*このデータは標準的な出力特性を示すものであり、特性を保証するものではありません。

*The data are meant to show standard electric characteristics only , not intended to guarantee the characteristics.

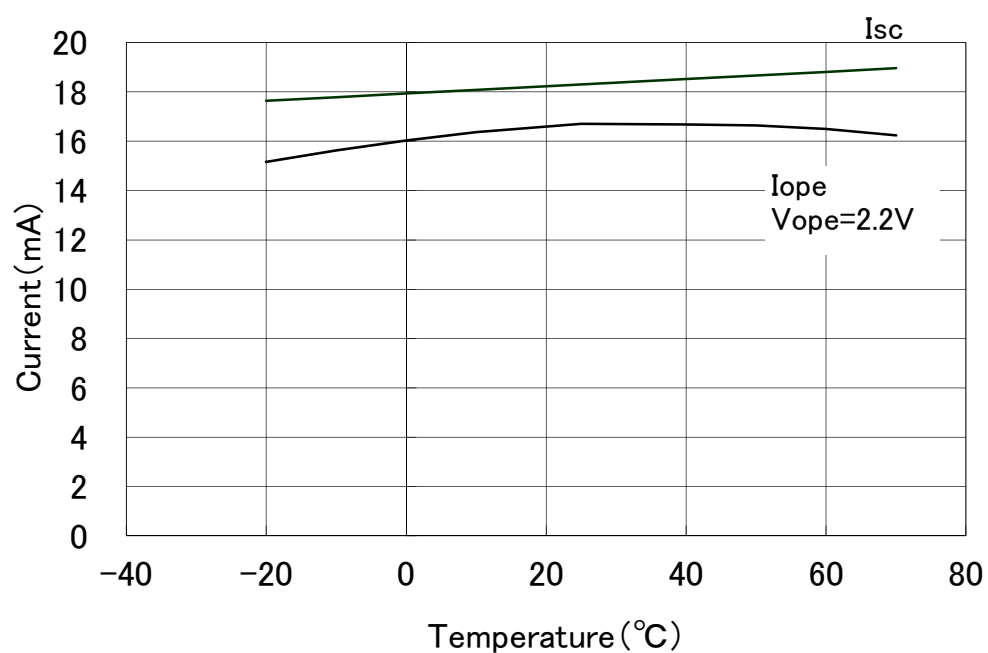
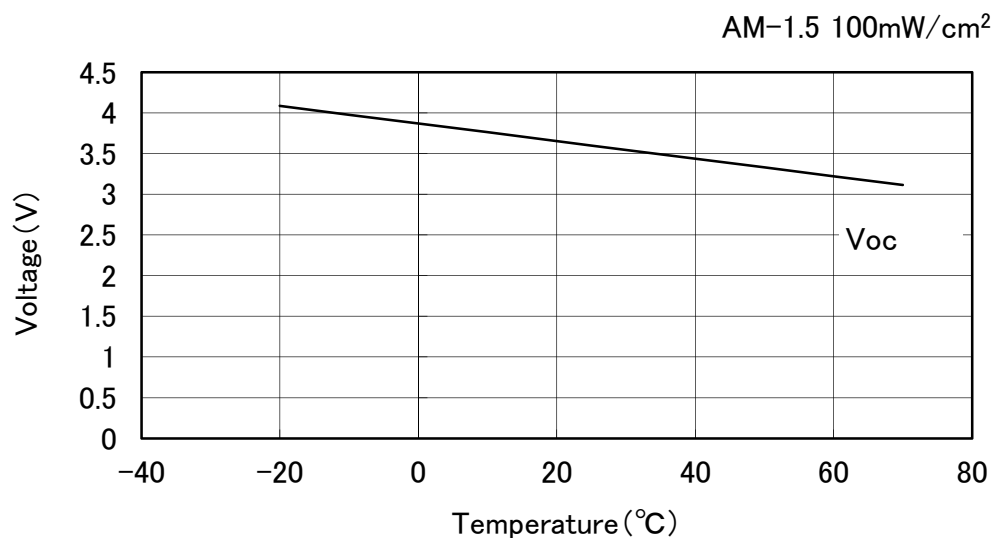
出力の温度依存特性

REFERENCE

Dependence of Output on Temperature

1.Model : AM-5413

2.Outside Dimension : 33.0mm × 23.9mm



*このデータは標準的な出力特性を示すものであり、特性を保証するものではありません。

*The data are meant to show standard electric characteristics only , not intended to guarantee the characteristics.