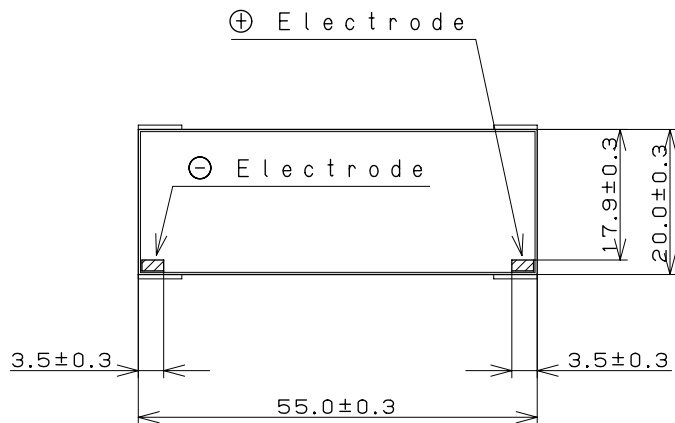
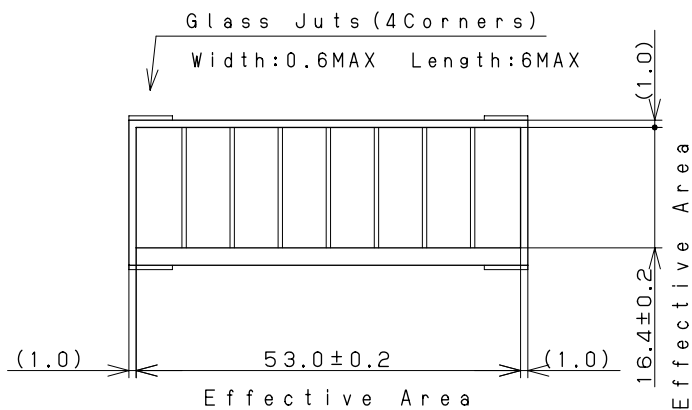


Model : AM-1805C

1. Outside dimensions 外形寸法

Light Receiving Side (受光面)

Overcoat Side (オーバーコート面)



(dimension: mm)

Note

Glass Substrate Thickness (ガラス基板厚) : 1.1mm ± 0.1

Module Thickness (モジュール厚) : 1.3mm MAX

Accepts normal soldering for bending

(一般の半田を使用してリート線付けが可能です。)

2. Rated Specifications (at 25°C)

| Item | Specifications (Initial) |
|---|------------------------------------|
| 2.1 Open circuit voltage: Voc 開放電圧 | Typical 5.0V at 200Lx FL |
| 2.2 Short circuit Current: Isc 短絡電流 | Typical 16.8 μA at 200Lx FL |
| 2.3 Operating Voltage & Operating Current: Vope-lope 動作特性 | Typical 2.6V - 3.85 μA at 50Lx FL |
| | Minimum 3.0V - 12.0 μA at 200Lx FL |
| | Typical 3.0V - 15.7 μA at 200Lx FL |
| 2.5 Working temperature range: Topr 動作温度範囲 | -10 to 60°C |
| 2.6 Storage temperature range: Tstg 保存温度範囲 | -20 to 70°C |
| 2.7 Working illuminance range 使用照度範囲 | ~1000Lx |

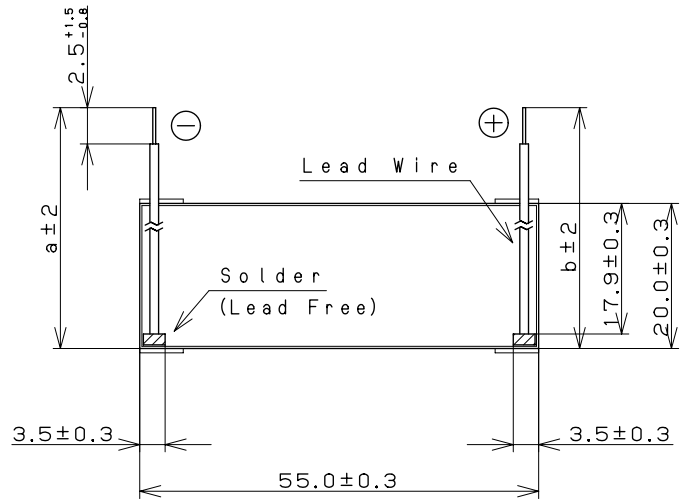
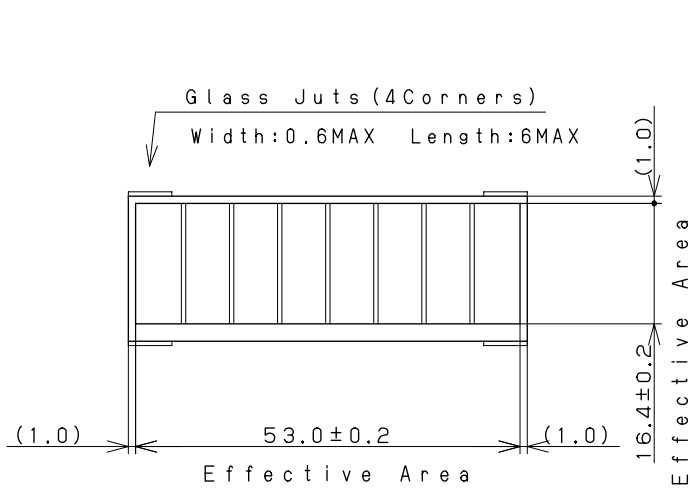
FL: White Fluorescent Light

Model : AM-1805CA

1. Outside dimensions 外形寸法

Light Receiving Side (受光面)

Overcoat Side (オーバーコート面)



(dimension: mm)

| | |
|--------------------|-------|
| Lead Wires : AWG30 | |
| a: 51 | b: 51 |

Note

Glass Substrate Thickness (ガラス基板厚) : 1.1mm ± 0.1

Module Thickness (モジュール厚) : 1.3mm MAX

Wire-Solder thickness: 2.5mm MAX (including Module)

(リード線半田付け部厚)

2. Rated Specifications (at 25°C)

| Item | Specifications (Initial) | | |
|---|--------------------------|----------------|-------------|
| 2.1 Open circuit voltage: Voc 開放電圧 | Typical | 5.0V | at 200Lx FL |
| 2.2 Short circuit Current: Isc 短絡電流 | Typical | 16.8 μA | at 200Lx FL |
| 2.3 Operating Voltage & Operating Current: Vope-lope 動作特性 | Typical | 2.6V - 3.85 μA | at 50Lx FL |
| | Minimum | 3.0V - 12.0 μA | at 200Lx FL |
| | Typical | 3.0V - 15.7 μA | at 200Lx FL |
| 2.5 Working temperature range: Topr 動作温度範囲 | -10 to 60°C | | |
| 2.6 Storage temperature range: Tstg 保存温度範囲 | -20 to 70°C | | |
| 2.7 Working illuminance range 使用照度範囲 | ~1000Lx | | |

FL: White Fluorescent Light

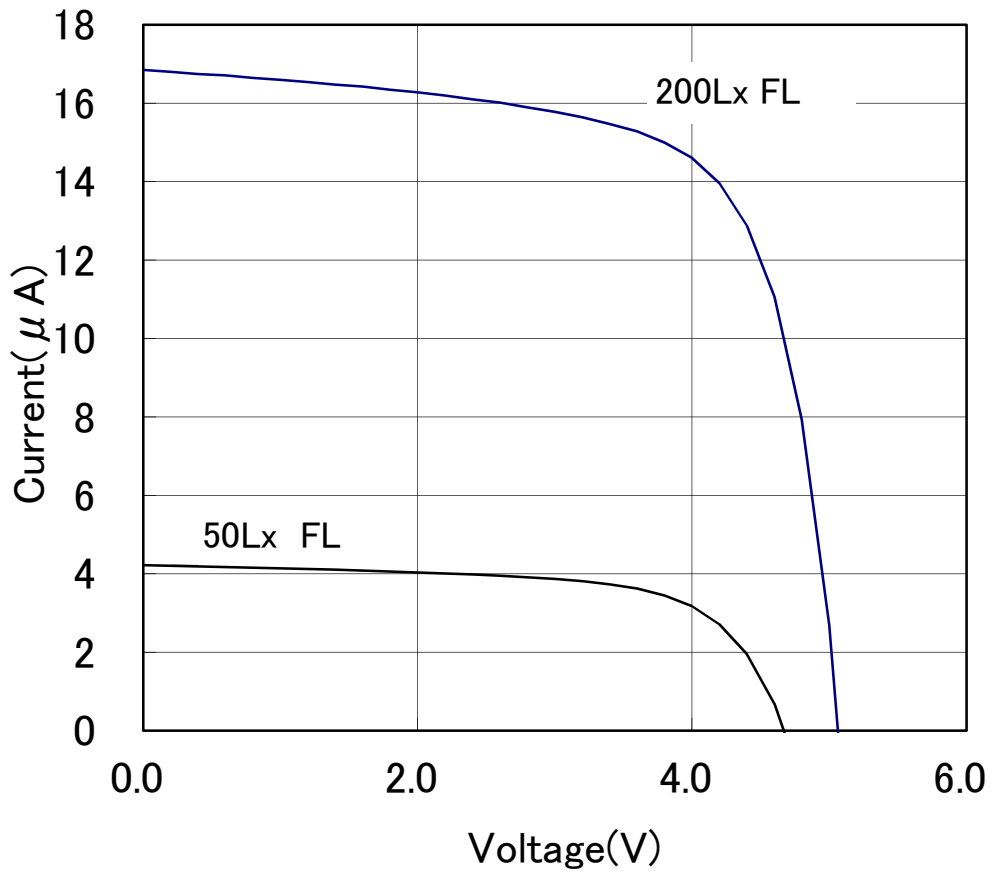
I - V Characteristics

REFERENCE

1.Model : AM-1805

2.Outside Dimension : 55.0mm × 20.0mm

FL:White Fluorescent Light



*このデータは標準的な出力特性を示すものであり、特性を保証するものではありません。

*The data are meant to show standard electric characteristics only , not intended to guarantee the characteristics.

Panasonic Solar Amorton Co.,Ltd.

2019/4/25

出力の照度依存特性

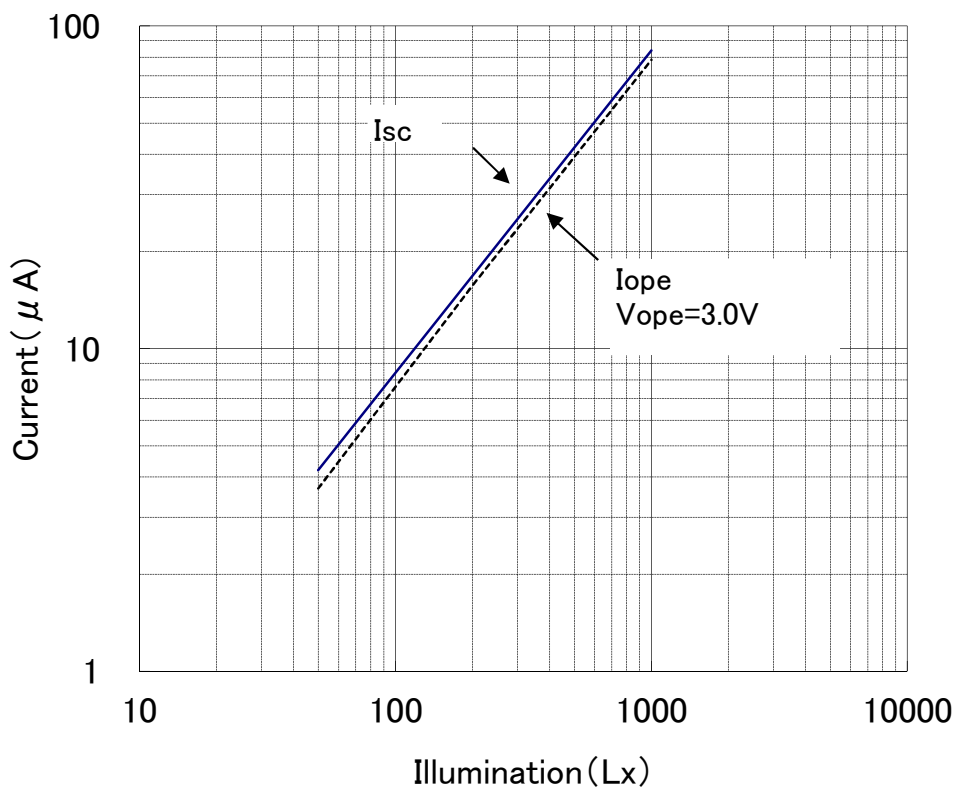
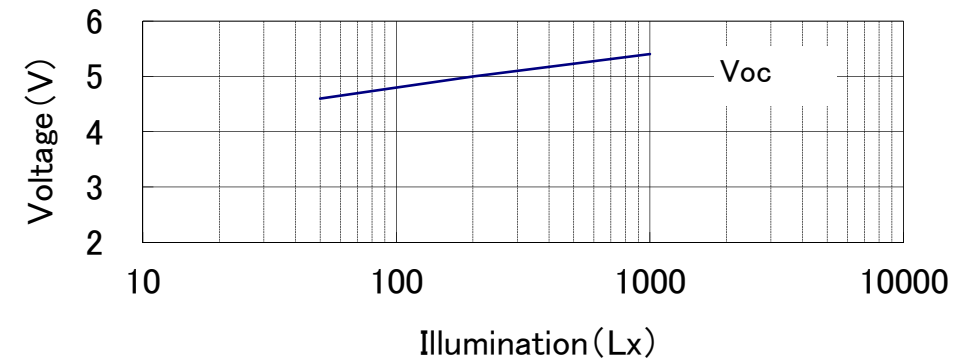
REFERENCE

Dependence of Output on Illumination

1.Model : AM-1805

2.Outside Dimension : 55.0mm × 20.0mm

FL:White Fluorescent Light



*このデータは標準的な出力特性を示すものであり、特性を保証するものではありません。

*The data are meant to show standard electric characteristics only , not intended to guarantee the characteristics.

出力の温度依存特性

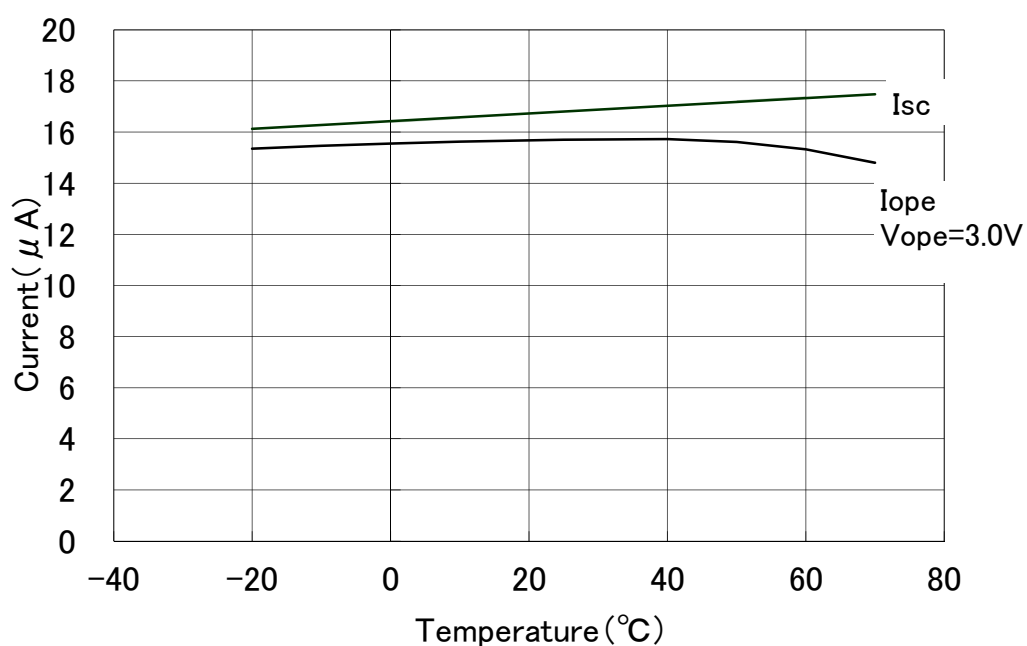
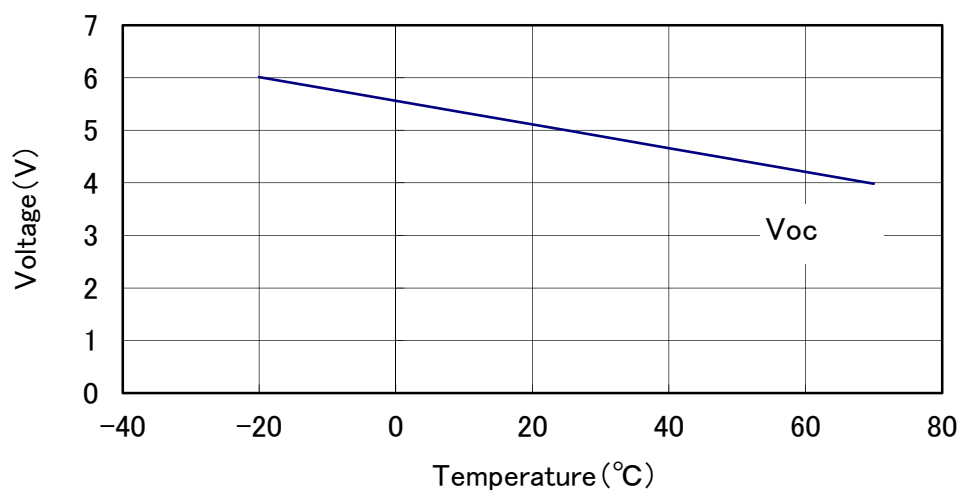
REFERENCE

Dependence of Output on Temperature

1.Model : AM-1805

2.Outside Dimension : 55.0mm × 20.0mm

at 200Lx White Fluorescent Light



*このデータは標準的な出力特性を示すものであり、特性を保証するものではありません。

*The data are meant to show standard electric characteristics only , not intended to guarantee the characteristics.

Panasonic Solar Amorton Co.,Ltd.

2019/4/25